

BEW two needle series

High speed, Large vertical axis hook, Compound feed and walking foot, Reverse stitch, Lockstich machines



Variety

BEW-28BLS-1

BEW-28BLS-1-BTFL-CD-DS

Thread trimmer, automatic back tack, automatic presser foot lift, climbing device, dual stitching device

Applications

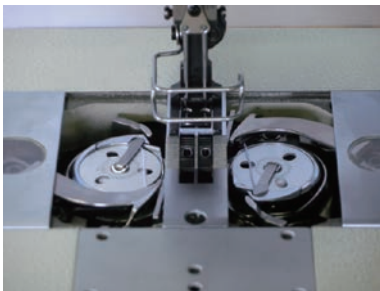
- For sewing medium to heavy weight materials such as leather, vinyl, synthetics and laminated and coated materials
- Suitable for sewing such as automobile upholstery, tarpaulins, covers, awnings, tents, umbrellas handbags, luggage, travelware accessories, sports and camping equipment and wearing apparel outdoor clothing.



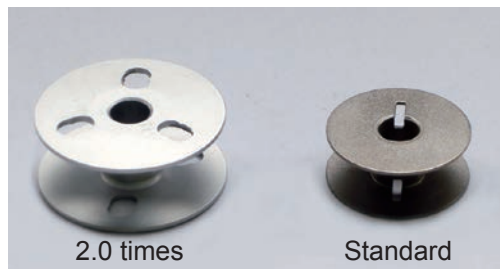
BEW two needle series

Features

- Longer stitch length quiet sewing operation
 - * Max. 9mm for both forward and reverse feed stitching.
 - * Compound feed and walking foot for positive stitching formation.
- BEW series are equipped with a large vertical axis hook (2.0 times)
 - * Large capacity hook minimizes the time to replace the bobbin thread in stitching of thick thread.
 - * This hook promote highly efficient operation by reducing the frequency of bobbin thread replacement.
- Reliable thread trimming device
 - * Reliable automatic thread trimming device securely cuts up to #1 thread is equipped.
- One touch switchover for two different stitch lengths (DS device)
 - * Variety sewing materials such as steps, curves, uneven thickness can be performed by one touch switchover setting two different stitch lengths. The efficient work and beautiful finishes will be obtained. (-DS type)



2.0 times large capacity hook, reliable thread trimming device



Comparison of the bobbin size

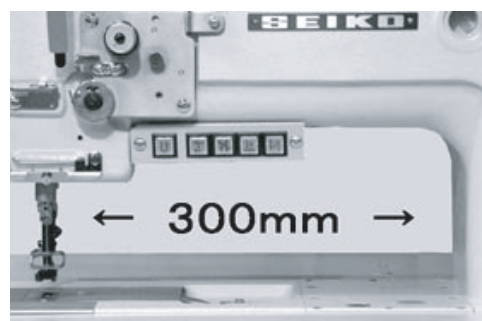


One touch switchover for two different stitch lengths (DS Device)

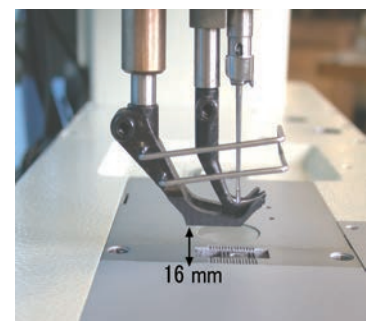
- Built-in bobbin winder
 - * Built-in bobbin winder makes it possible to wind the bobbin thread during sewing operation.
- Wide working space
 - * 300 mm working space, from the needle to the sewing machine arm, makes sewing works easy to handle heavy weight and even large materials.
- Large clearance under presser foot
 - * The clearance under the presser foot (16mm), makes it easy to put heavy weight materials in and out.



Built-in bobbin winder



Wide working space



The clearance under the presser foot (16mm)

- Simple setting for walking foot movement
 - * Walking foot movement between inner foot and outer foot can be changed simply by the easy-to-handle dial located at the top of the sewing machine.
 - * Once the walking movements have been set, the sewing speed is automatically controlled to the optimum speed so that stable sewing is maintained.
- Smooth stitching on step section (CD device)
 - * The presser foot movement can be changed to maximum momentum (7mm) by button. Uneven thickness of materials can be smoothly performed changing the movement right before the uneven point.

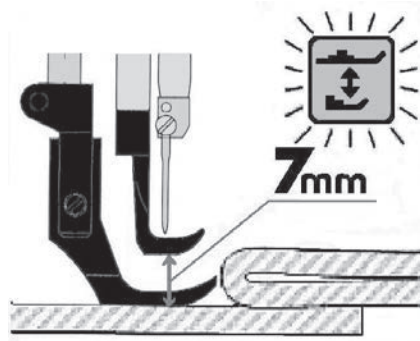
BEW two needle series

- 5 operational switches improve working efficiency

- * 5 switch buttons are panelled on the convenient positions improve the efficient works.



Simple setting for walking foot movement



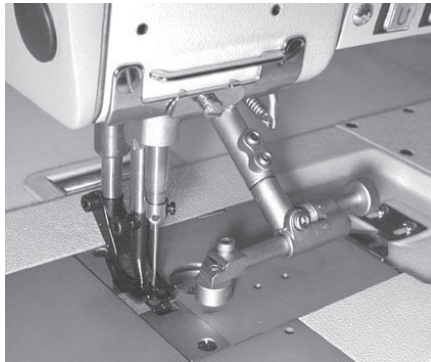
Smooth stitching on step section (CD device)



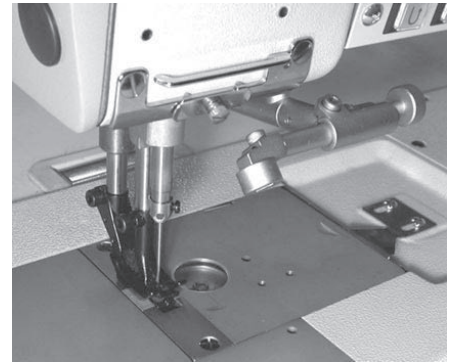
5 operational switches

- * Quick reverse switch
- * Walking foot movement change switch
- * Auto backtack select switch
- * Half stitch switch
- * Stitch length change switch

- Guide (optional parts)



On duty



Off duty

BEW two needle series

Specifications (BEW-□)

Variety	28BLS-1	28BLCS-1-BTFL-CD-DS
Number of needle	Two needle	
Max. sewing speed	2,500 s.p.m. (Refer to list below)	
Max. stitch length	9 mm	
Clearance under presser foot	by hand	9 mm
	by knee	16 mm
	by automatic foot lifter	-
Needle bar stroke	37 mm	
Needle (Standard)	135×17 #110 - #200 (#160), DP×17 #18 - #25 (#23)	
Thread	#30 - #1 (Standard #5)	
Hook	Large vertical axis hook (2.0 times)	
Thread length after trimming	-	Approx. 13 mm
Thread take up lever	Slide type	
Amount of walking foot movement	1 - 6.5 mm	1 - 7 mm
Walking foot movement change switch	Dial type	
Bobbin winder	Built-in type located at the top of the sewing machine	
Auto presser foot lifting device	-	Pneumatic
Walking foot movement change device	-	Pneumatic
Safety device	Standard	
Lubrication	Automatic lubrication type	
Bed size/Working space	567 × 177 mm / 300 × 120 mm	
Net weight (Head only)	49 Kg	51 Kg
Motor	Clutch motor	AC Servo motor

NOTE: (1)Thick thread application is available by order.
 (2)Speed depends on threads, materials and type of operation.
 (3)Specifications subject to change without notice.

Sewing speed range

Amount of walking foot movement	Stitch length	
	6 mm and less	6 mm ~ 9 mm
1 mm ~ 2 mm	2500 s.p.m.	2000 s.p.m.
3 mm	2400 s.p.m.	
4 mm	2300 s.p.m.	
5 mm ~ 7 mm	2000 s.p.m.	

BEW-□

	28BLCS-1-BTFL-CD-DS
Thread trimming (C)	○
Quick reverse feed (BT)	○
Auto presser foot lifting (FL)	○
Walking foot movement changeover (CD)	○
Stitch length change (DS)	○

Needle gauge list (BEW-□)

Variety	Needle gauge size
28BLS-1 28BLCS-1-BTFL-CD-DS	standard : 1/4"(6.4 mm), 5/16"(7.9 mm), 3/8"(9.5 mm), 1/2"(12.7 mm) special : 1/8"(3.2 mm), 3/16"(4.8 mm)



SEIKO SEWING MACHINE CO., LTD.

2-13-6, Sakaecho, Funabashi-shi
Chiba Prefecture, 273-0018, Japan

Phone : +81-47-420-3561 (Overseas dept.)

Fax : +81-47-420-3560

E-mail : export@seiko-sewing.co.jp

Printed in Japan 2016.04

<http://www.seiko-sewing.co.jp/>