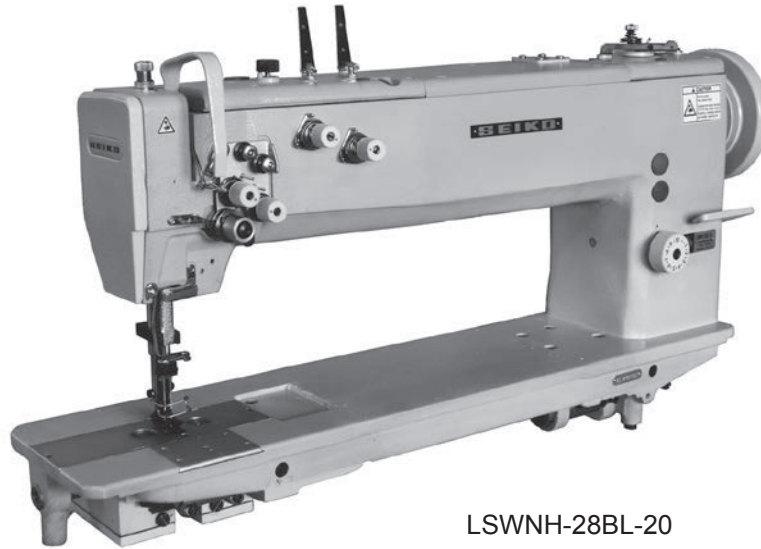


# LSWNH series

High speed, Compound feed and walking foot, Reverse stitch, Large vertical axis hook, High and long arm lockstitch machines.



LSWNH-28BL-20

## Variety



### LSWNH-8BL-20

Single needle



### LSWNH-8BL-20-BTFL

Single needle, automatic back tack, automatic presser foot lift



### LSWNH-8BL-20-TA-BTFL

Single needle, automatic back tack, automatic presser foot lift, for thick thread



### LSWNH-28BL-20

Two needle



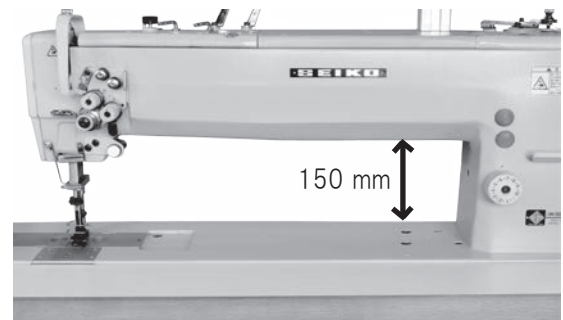
### LSWNH-28BL-20-BTFL

Two needle, automatic back tack, automatic presser foot lift



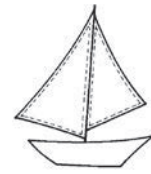
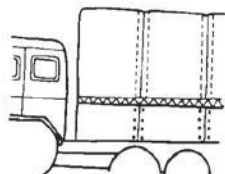
### LSWNH-28BL-20-TA-BTFL

Two needle, automatic back tack, automatic presser foot lift, for thick thread



## Applications

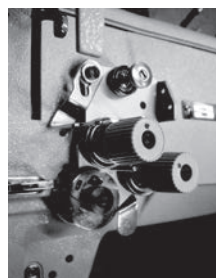
- For sewing medium to heavy weight materials such as leather, vinyl, synthetics and laminated and coated materials.
- Suitable for sewing such as tents, covers, sails, awnings, tarpaulins, automobile upholstery.



# LSWNH series

## Features (LSWNH-□)

- Standard equipment of long stitch (max.10mm) suitable for thick material and amount of alternative presser lift (max.6mm).
- Adoption of feed-adjusting dial which eases determination process of stitch length.
- Plain needle drop area/adoption of open/close simplified face plate which provides wide-ranged movement of sewn material.
- Advanced penetration required for sewing of thick material/adoption of large pulley (O.D. 150mm) which enables the needle bar to be positioned properly.
- Built-in bobbin winder makes it possible to wind the bobbin thread during sewing operation.
- Large capacity hook (2.0 times/Automatic hook lubrication) minimized the time to replace the bobbin thread.
- Safety clutch prevents the hook from being damaged.



Single needle



Two needle

## Specifications (LSWNH-□)

Variety	8BL-20	8BL-20-BTFL	8BL-20-TA-BTFL	28BL-20	28BL-20-BTFL	28BL-20-TA-BTFL
Number of needle	Single needle			Two needle		
Max. sewing speed	1,500 s.p.m.		1,300 s.p.m.	1,500 s.p.m.		1,300 s.p.m.
Max. stitch length	25/64" (10 mm)					
Clearance under presser foot	by pedal		5/8" (16 mm)			
	by hand		9/64" (8.5 mm)			
Needle bar stroke	1-25/64" (35.4 mm)					
Needle(standard)	DP x 17(#22) 135 x 17(#140)		DP x 17(#24) 135 x 17(#180)	DP x 17(#22) 135 x 17(#140)		DP x 17(#24) 135 x 17(#180)
Thread	#8 (standard)					
Hook	Large vertical axis hook(2.0times)					
Amount of lift of walking foot	1/8"-15/64" standard 5/32" (3 - 6 mm) (standard 4 mm)					
Thread take up lever	Slide type					
Lubrication	Semi-automatic lubrication type					
Bed size	30-45/64" x 7-1/64" (780 x 178 mm)					
Working space	20-5/16" x 5-29/32" (516 x 150 mm)					
Motor	Clutch motor					
Net weight(Head only)	65Kg		66Kg	67Kg		68Kg

NOTE: (1)Speed depends on thread, materials and type of operations.

(2)Specifications subject to change without notice.



**SEIKO SEWING MACHINE CO., LTD.**

2-13-6, Sakaecho, Funabashi-shi  
Chiba Prefecture, 273-0018, Japan

Phone : +81-47-420-3561 (Overseas dept.)

Fax : +81-47-420-3560

E-mail : export@seiko-sewing.co.jp

Printed in Japan 2016.04

<http://www.seiko-sewing.co.jp/>