

News Release



February 1, 2019
Seiko Sewing Machine Co., Ltd.

SEIKO to launch New Cylinderbed – **BSC series**

This is High speed, Compound feed and walking foot lockstitch sewing machine.

More suitable for heavy duty work than conventional products.



BSC-8BL

We, Seiko Sewing Machine Co., Ltd., will launch **BSC series**, High speed Cylinderbed lockstitch sewing machine with Compound feed and walking foot which is improved performance to heavy duty work as successor of **LSC series**.

Larger presser foot lift amount, Larger needle bar stroke amount and Larger alternating presser foot lift amount ensures to stitch easily even heavy materials.

With using newly designed arm casting, working space under arm becomes wider, and moving area is safely covered that make handling of materials much smoother.

Better maintainability with Automatic lubrication system and Thumb screw to adjust resser foot pressure.

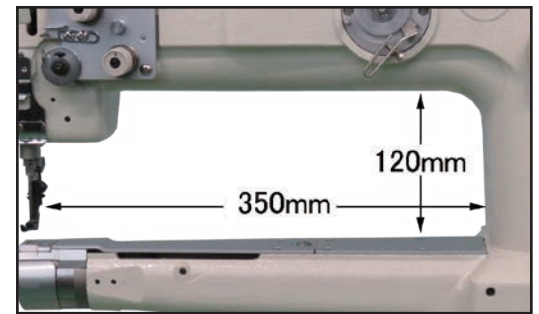
We wish to propose our new products to customers who are manufacturing mainly bags, luggages, leather goods and etc by introducing new model.

Variety

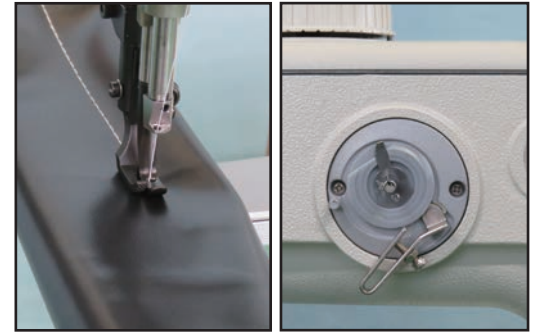
BSC-8B	Basic model with Standard Horizontal Axis Hook
BSC-8BL	Large Hook
BSC-8BV	Standard Hook, Horizontal Lower Feed, Synchronized Binder
BSC-8BLV	Large Hook, Horizontal Lower Feed, Synchronized Binder
BSC-8BLH	Large Hook, Horizontal Lower Feed
BSC-8BHC	Standard Hook, Horizontal Lower Feed, Thread Trimmer

Features (BSC-□)

- Cylinder bed size.
1-13/16"(46mm) dia. for standard hook model(8B, 8BV, 8BHC).
1-31/32"(50mm) dia. for large hook model(8BL, 8BLV, 8BLH).
- Wide working space 3-25/32"x 4-23/32"(350mm X 120mm).
- Good Operability.
Presser foot lift amount 5/8"(16mm) (by knee).
Needle bar stroke 1-25/64"(35.4mm).
Alternating presser foot lift amount 3/64" - 1/4" (1mm - 6.5mm).
- Compound feed and walking foot mechanism assures certain feeding of slippy or uneven materials.
- Horizontal rotary hook, standard size or large size.
- Built-in Bobbin winder.
- Moving area is safely covered.
- Automatic lubrication system.
- Better maintainability with Thumb screw to adjust presser foot pressure.
- Synchronized binder models available (8BV, 8BLV).
- Option - Automatic Back-Tack (BT) and Foot-Lift (FL) available.
- Automatic thread trimmer model available (8BHC).



Wide working space



Built-in Bobbin winder

Specifications (BSC-□)

Variety	8B	8BL	8BV	8BLV	8BLH	8BHC
Number of needle	Single needle					
Max. sewing speed	2,300 s.p.m.			2,500 s.p.m.		
Max. stitch length	9/32" (7 mm)					15/64" (6 mm)
Clearance under presser foot	by knee		5/8" (16 mm)			
	by hand		23/64" (9 mm)			
Needle bar stroke	1-25/64" (35.4 mm)					
Needle(standard)	DPx17 (#18) 135x17 (#110)		DPx17 (#16) 135x17 (#100)			DPx17 (#18) 135x17 (#110)
Thread	#20 (standard)			#30 (standard)		#20 (standard)
Hook	Horizontal axis hook	Large horizontal axis hook(2.0times)	Horizontal axis hook	Large horizontal axis hook(2.0times)		Horizontal axis hook
Amount of lift of walking foot	3/64"-1/4" (1 - 6.5 mm)					
Thread take up lever	Slide type					
Lubrication	Automatic lubrication type					
Cylinder size	1-13/16" (46 mm) dia.	1-13/32" (50 mm) dia.	1-13/16" (46 mm) dia.	1-13/32" (50 mm) dia.		1-13/16" (46 mm) dia.
Working space	13-25/32"x 4-23/32" (350 x 120 mm)					
Motor	AC servo motor					
Net weight(Head only)	48 Kg					52 Kg
Feeding system	elliptical			horizontal		

NOTE: (1) Speed depends on threads, materials and type of operation
(2) Specifications subject to change without notice

The release date

Around Summer 2019

For more information please contact

Seiko Sewing Machine Co., Ltd. Phone : +81-47-420-3561 (Overseas dept.)
Fax : +81-47-420-3560
E-mail : export@seiko-sewing.co.jp
URL : <http://www.seiko-sewing.co.jp/>