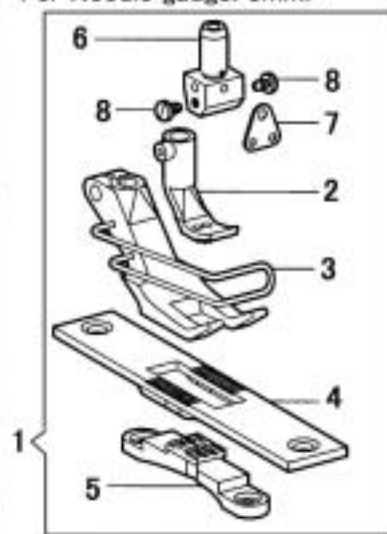
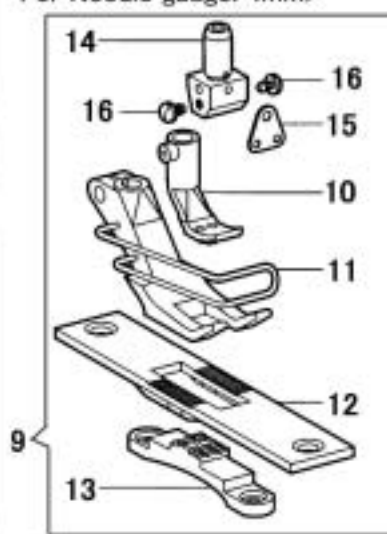


ゲージ関係(2本針)/Gauge parts (two needle)

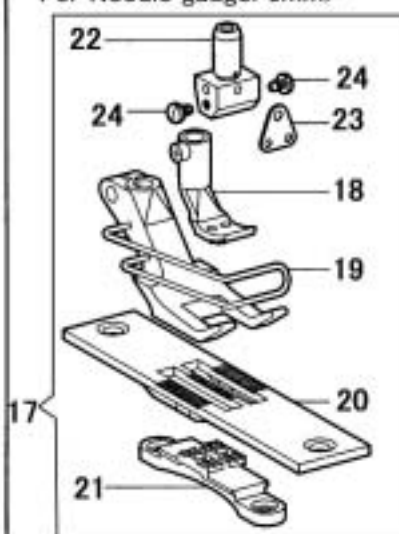
<針幅3mm用/
For Needle gauge: 3mm>



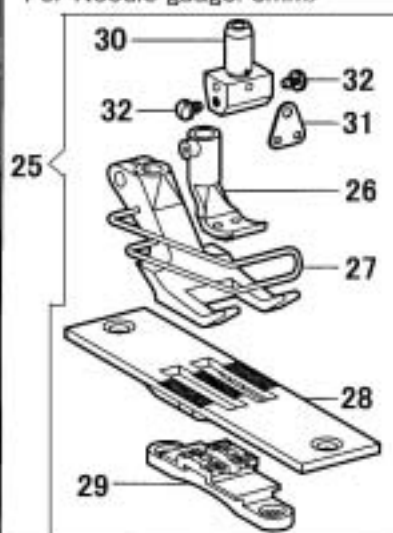
<針幅4mm用/
For Needle gauge: 4mm>



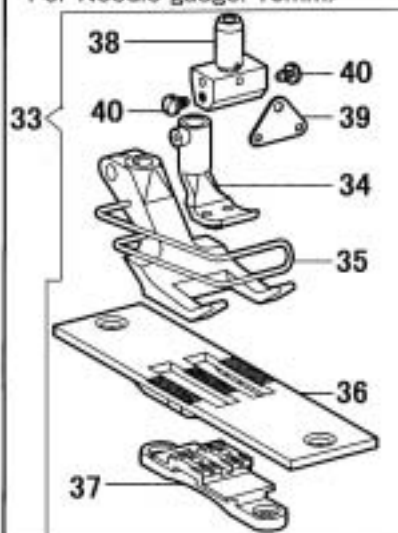
<針幅6mm用/
For Needle gauge: 6mm>



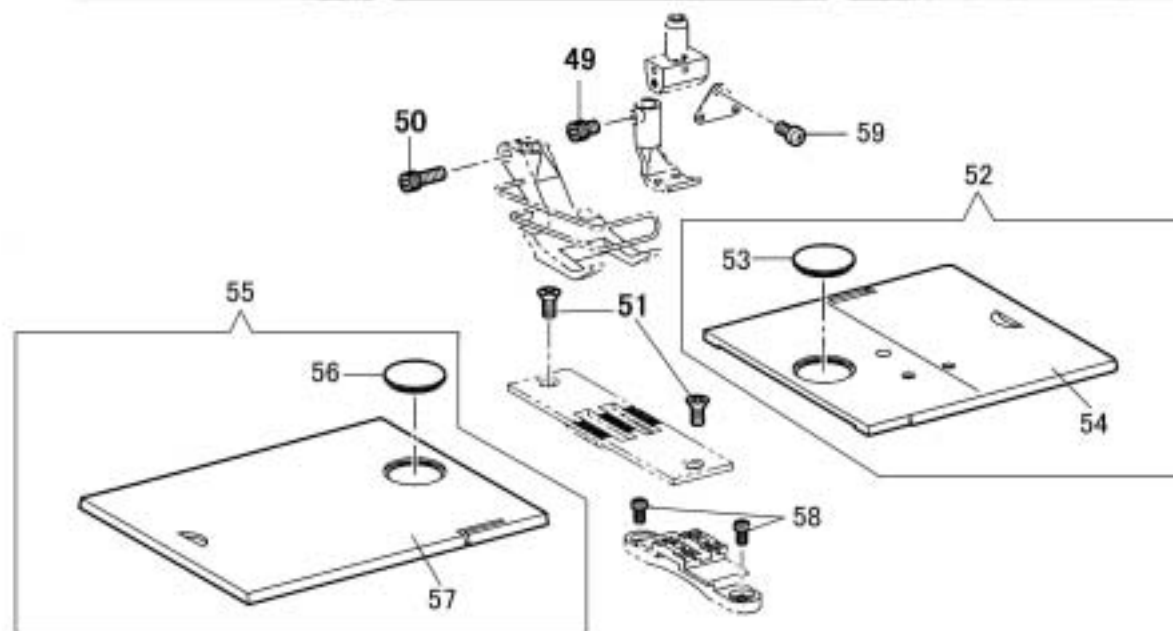
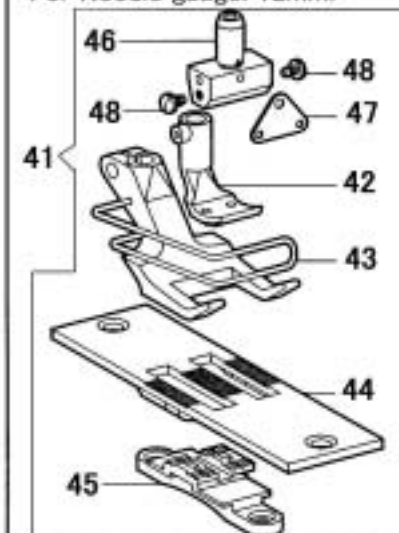
<針幅8mm用/
For Needle gauge: 8mm>



<針幅10mm用/
For Needle gauge: 10mm>



<針幅12mm用/
For Needle gauge: 12mm>



ゲージ関係(2本針)/Gauge parts (two needle)

NO.	部品番号	-28BL	-28BLC	-28BLC- BTL-CD-DS	数量	品名	DESCRIPTION
	PARTS NO.				QTY		
1	60690C	*	*	*	1	<針幅3mm用> ゲージセット3	<For Needle gauge: 3mm> GAGE SET 3
2	60670	*	*	*	1	中押え3	INNER PRESSER FOOT, 3
3	60680	*	*	*	1	外押え(組) 3,4	OUTER PRESSER FOOT ASSY, 3,4
4	60640	*	*	*	1	針板3	NEEDLE PLATE, 3
5	60650	*	*	*	1	送り歯3	FEED DOG, 3
6	60660	*	*	*	1	針抱き(組)3	NEEDLE CLAMP ASSY, 3
7	60624	*	*	*	1	針糸案内6	THREAD GUIDE, 6
8	B140553	*	*	*	2	針止	SET SCREW, SM1/8X40 L=4.5
9	60691C	*	*	*	1	<針幅4mm用> ゲージセット4	<For Needle gauge: 4mm> GAGE SET 4
10	60671	*	*	*	1	中押え4	INNER PRESSER FOOT, 4
11	60680	*	*	*	1	外押え(組) 3,4	OUTER PRESSER FOOT ASSY, 3,4
12	60641	*	*	*	1	針板4	NEEDLE PLATE, 4
13	60651	*	*	*	1	送り歯4	FEED DOG, 4
14	60661	*	*	*	1	針抱き(組)4	NEEDLE CLAMP ASSY, 4
15	60624	*	*	*	1	針糸案内6	THREAD GUIDE, 6
16	B140553	*	*	*	2	針止	SET SCREW, SM1/8X40 L=4.5
17	60692C	*	*	*	1	<針幅6mm用> ゲージセット6	<For Needle gauge: 6mm> GAGE SET 6
18	60672	*	*	*	1	中押え6	INNER PRESSER FOOT, 6
19	60681	*	*	*	1	外押え(組)6	OUTER PRESSER FOOT ASSY, 6
20	60642	*	*	*	1	針板6	NEEDLE PLATE, 6
21	60652	*	*	*	1	送り歯6	FEED DOG, 6
22	60662	*	*	*	1	針抱き(組)6	NEEDLE CLAMP ASSY, 6
23	60624	*	*	*	1	針糸案内6	THREAD GUIDE, 6
24	B140553	*	*	*	2	針止	SET SCREW, SM1/8X40 L=4.5
25	60693C	*	*	*	1	<針幅8mm用> ゲージセット8	<For Needle gauge: 8mm> GAGE SET 8
26	60673	*	*	*	1	中押え8	INNER PRESSER FOOT, 8
27	60682	*	*	*	1	外押え(組)8	OUTER PRESSER FOOT ASSY, 8
28	60643	*	*	*	1	針板8	NEEDLE PLATE, 8
29	60653	*	*	*	1	送り歯8	FEED DOG, 8
30	60663	*	*	*	1	針抱き(組)8	NEEDLE CLAMP ASSY, 8
31	60624	*	*	*	1	針糸案内6	THREAD GUIDE, 6
32	B140553	*	*	*	2	針止	SET SCREW, SM1/8X40 L=4.5
33	60694C	*	*	*	1	<針幅10mm用> ゲージセット10	<For Needle gauge: 10mm> GAGE SET 10
34	60674	*	*	*	1	中押え10	INNER PRESSER FOOT, 10
35	60683	*	*	*	1	外押え(組)10	OUTER PRESSER FOOT ASSY, 10
36	60644	*	*	*	1	針板10	NEEDLE PLATE, 10
37	60654	*	*	*	1	送り歯10	FEED DOG, 10
38	60664	*	*	*	1	針抱き(組)10	NEEDLE CLAMP ASSY, 10
39	60625	*	*	*	1	針糸案内12	THREAD GUIDE, 12
40	B140553	*	*	*	2	針止	SET SCREW, SM1/8X40 L=4.5
41	60695C	*	*	*	1	<針幅12mm用> ゲージセット12	<For Needle gauge: 12mm> GAGE SET 12
42	60675	*	*	*	1	中押え12	INNER PRESSER FOOT, 12
43	60684	*	*	*	1	外押え(組)12	OUTER PRESSER FOOT ASSY, 12
44	60645	*	*	*	1	針板12	NEEDLE PLATE, 12
45	60655	*	*	*	1	送り歯12	FEED DOG, 12
46	60665	*	*	*	1	針抱き(組)12	NEEDLE CLAMP ASSY, 12
47	60625	*	*	*	1	針糸案内12	THREAD GUIDE, 12
48	B140553	*	*	*	2	針止	SET SCREW, SM1/8X40 L=4.5
49	60048	*	*	*	1	中押え止	BOLT, SOCKET, M4X0.7 L=5
50	27174	*	*	*	1	外押え止	BOLT, SOCKET, M4X0.7 L=10
51	60235	*	*	*	2	針板止	SCREW, FLAT M4X0.7 L=8
52	60236C	*	*	*	1	角板R(組)	SLIDE PLATE ASSY, R
53	BS07320	*	*	*	1	角板窓	BOBBIN WINDOW
54	60236	*	*	*	1	角板R	SLIDE PLATE (R)
55	60636C	*	*	*	1	角板L(組)	SLIDE PLATE ASSY, L
56	BS07320	*	*	*	1	角板窓	BOBBIN WINDOW
57	60636	*	*	*	1	角板L	SLIDE PLATE (L)
58	60540	*	*	*	2	送り歯止	SCREW, PAN M4X0.7 L=8
59	B062630	*	*	*	1	針糸案内止	SCREW, PAN SM2.38X56 L=4