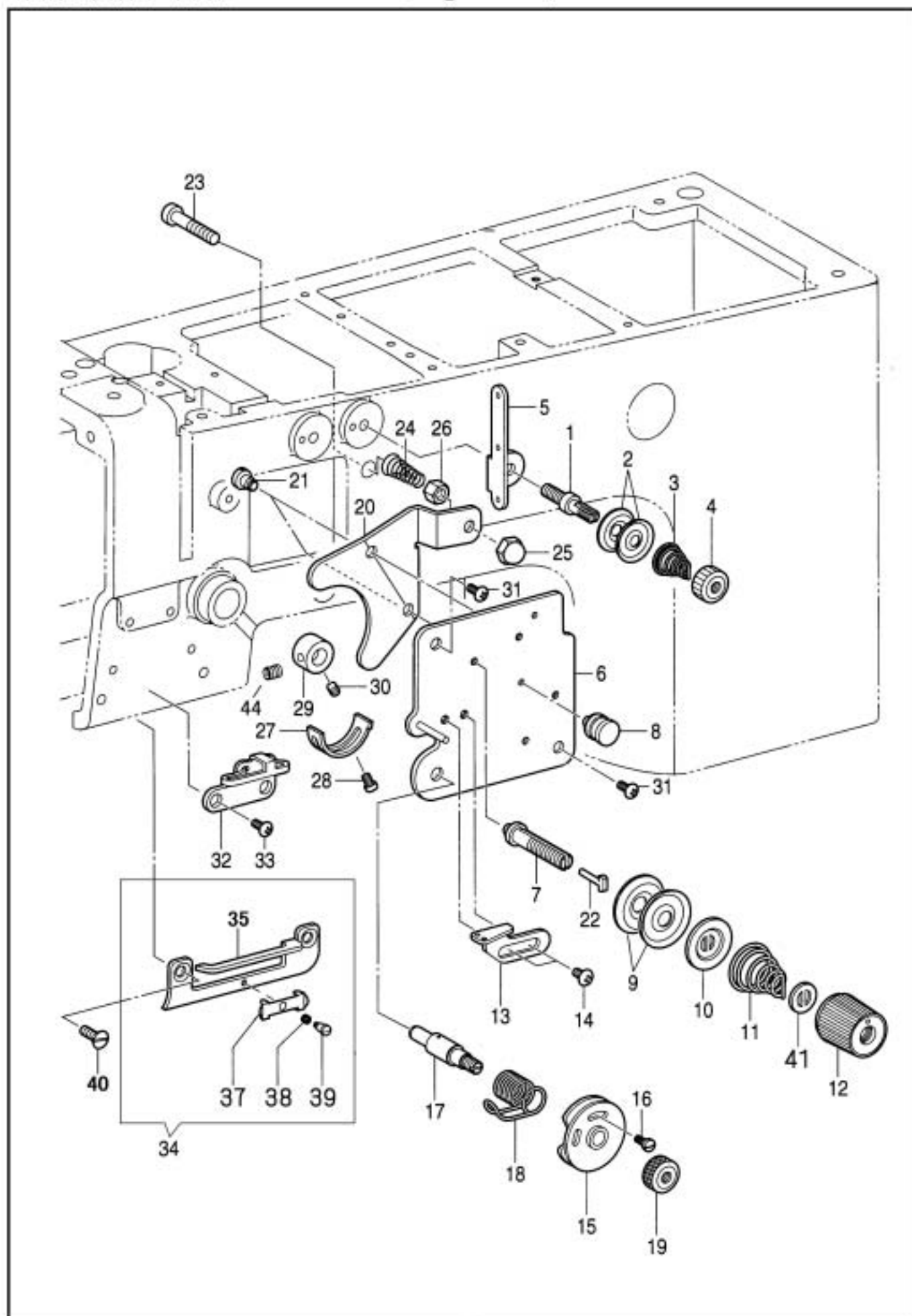


糸調子関係(1本針)/Thread tension (single needle)



糸調子関係(1本針)/Thread tension (single needle)

| | 部品番号 | BL(S)(E) | BLC(S)(E) | FULL(S)(E) | 数量 | 品名 | DESCRIPTION |
|----|----------|----------|-----------|------------|-----|---------------|-------------------------------|
| | PARTS | BL(S)(E) | BLC(S)(E) | FULL(S)(E) | QTY | | |
| 1 | 60134 | * | * | * | 1 | 第一調子棒 | TENSION ADJUSTING STUD, 1ST |
| 2 | 20224 | * | * | * | 2 | 第一調子皿 | TENSION DISC |
| 3 | 20226-01 | * | * | * | 1 | 渦巻きスプリング | TENSION SPRING |
| 4 | 20225 | * | * | * | 1 | 第一調子ナット | NUT |
| 5 | 60133 | * | * | * | 1 | 第一調子糸掛け | THREAD HOOK, 1ST |
| 6 | 60136 | * | * | * | 1 | 調子板(組) | TENSION PLATE COMPLETE |
| 7 | 60391 | * | * | * | 1 | 糸調子棒 | TENSION ADJUSTING STUD |
| 8 | 60135-02 | * | * | * | 1 | 調子板糸案内 | THREAD GUIDE |
| 9 | B145446 | * | * | * | 2 | 調子皿 | DISC, ; TENSION |
| 10 | B159805 | * | * | * | 1 | 丸一皿 | DISC PRESSER, ; TENSION |
| 11 | BS07490 | * | * | * | 1 | 渦巻きスプリング | TENSION SPRING |
| 12 | B149566 | * | * | * | 1 | 糸調子ダイヤル | TENSION NUT |
| 13 | 60138 | * | * | * | 1 | 天秤案内糸掛け | THREAD RETAINER |
| 14 | 37288 | * | * | * | 2 | 天秤案内糸掛け止 | SCREW M4X0.7 L=5 |
| 15 | 10694 | * | * | * | 1 | 二重皿 | TENSION CONTROLLER DISC |
| 16 | B118319 | * | * | * | 1 | 二重皿止ねじ | SCREW SM2.38X56 L=6 |
| 17 | 19512 | * | * | * | 1 | 糸調子棒 | TENSION ADJUSTING STUD, S |
| 18 | 10689 | * | * | * | 1 | 糸引スプリング | THREAD CONTROLLER SPRING |
| 19 | 19534 | * | * | * | 1 | ローレットナット | TENSION NUT |
| 20 | 60141 | * | * | * | 1 | 糸緩め板 | TENSION RELEASE PLATE |
| 21 | B112712 | * | * | * | 2 | 糸緩め板台段ねじ | SHOULDER SCREW SM3.57X40 |
| 22 | 60148 | * | * | * | 1 | 糸緩め段ピン | SHOULDER PIN, TENSION RELEASE |
| 23 | 60143 | * | * | * | 1 | 糸緩め押しピンねじ | PUSHER PIN, TENSION RELEASE |
| 24 | 20226-02 | * | * | * | 1 | 糸緩め押しスプリング | SPRING |
| 25 | 60142 | * | * | * | 1 | 糸緩め押しピン袋ナット | NUT, CAP M4 |
| 26 | 4137 | * | * | * | 1 | 糸緩め押しピン六角ナット | NUT, M4 |
| 27 | 10690 | * | * | * | 1 | スプリング受 | STOPPER |
| 28 | B062670 | * | * | * | 1 | 糸引きスプリング受け止ねじ | SCREW SM3.57X40 L=5 |
| 29 | 60137 | * | * | * | 1 | 糸調子棒カラー | COLLAR, TENSION STUD |
| 30 | 37229 | * | * | * | 1 | 糸調子棒カラー止 | SET SCREW M4X0.7 L=5 |
| 31 | 34629 | * | * | * | 2 | 調子板止 | SCREW M4X0.7 L=8 |
| 32 | 31568 | * | * | * | 1 | 面糸掛け(上) | THREAD GUIDE, U |
| 33 | 34629 | * | * | * | 1 | 面糸掛け(上)止 | SCREW M4X0.7 L=8 |
| 34 | 60534C | * | * | * | 1 | 面糸掛け(下)組 | THREAD HOOK COMPLETE, D |
| 35 | 60534 | * | * | * | 1 | 面糸掛け(下) | THREAD HOOK, D |
| 37 | BS48761 | * | * | * | 1 | 針糸押え | THREAD CLAMP |
| 38 | BS49530 | * | * | * | 1 | 針糸案内押しばね | SPRING COMPRESSION |
| 39 | B112301 | * | * | * | 1 | 段ねじ3.18x40 | SHOULDER SCREW, SM3.18X40 |
| 40 | 60140 | * | * | * | 2 | 面糸掛(下)止 | SCREW M5X0.8 L=8 |
| 41 | 28206 | * | * | * | 1 | ローレットストッパー | STOPPER, TENSION NUT |
| 44 | 37229 | * | * | * | 1 | 糸調子棒止 | SET SCREW M4X0.7 L=5 |