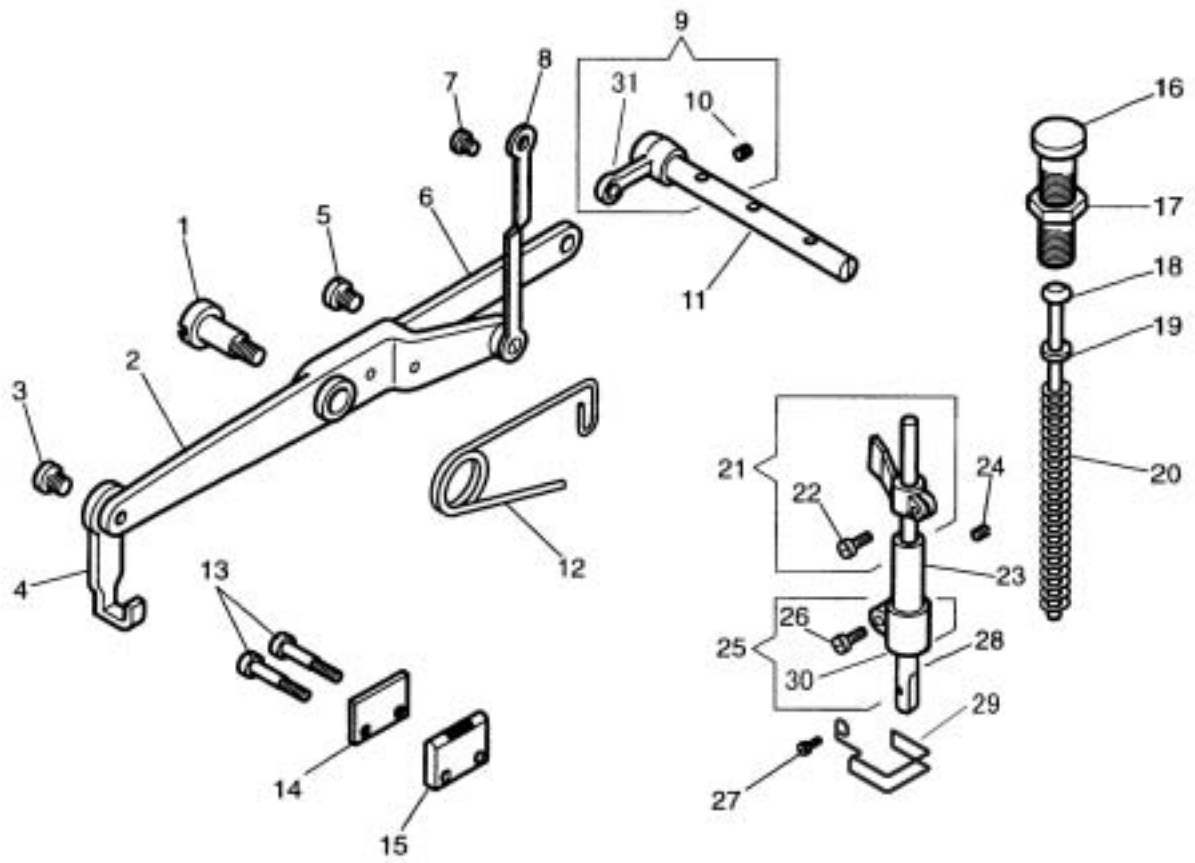


押え棒、糸切り刃
Presser Bar and Thread Cutter



押え棒、糸切り刃 Presser Bar and Thread Cutter

NO.	部品番号 PART NO.	L26	T26	個数 QTY	品名	DESCRIPTION
1	100802	*	*	1	大弓止めねじ	Hinge Screw 5/16X24
2	143510	*	*	1	大弓	Presser Bar Lifting Lever
3	100807	*	*	1	押え上げ腕金止めねじ	Hinge Screw 15/64X28
4	146676	*	*	1	押え上げ腕金	Presser Bar Lifting Bracket Lifter
5	100161	*	*	2	押え上げ大弓レバー止めねじ	Screw 3/16X28 L=9.5
6	146609	*	*	1	押え上げ大弓レバー	Presser Bar Lifting Lever Extension
7	100110	*	*	2	糸ゆるめ連結止めねじ	Screw 9/64X40
8	146620	*	*	1	糸ゆるめ連結	Connecting Link
9	416024	*	*	1	上糸調子連結 (ねじ付)	Tension (needle thread) Releasing Shaft Crank Assembly
10	100624	*	*	1	上糸調子連結止めねじ	Set Screw 11/64X40 L=5.5
11	168003	*	*	1	上糸ゆるめ軸	Releasing Shaft
12	143511	*	*	1	大弓ばね	Spring
13	150225	*	*	2	糸切り刃止	Screw 3/32X56 L=7.9
14	139181	*	*	1	糸切り刃	Thread Cutter (Knife)
15	143524	*	*	1	糸切り刃押え	Thread Cutter Support and Guide
16	141008	*	*	1	押え棒筒ねじ	Thumb Screw 1/2X28
17	151614	*	*	1	押え棒筒ねじナット	Nut
18	132833	*	*	1	押え棒筒ねじ押し棒	Guide Pin
19	175032	*	*	1	押え棒ワッシャー	Washer
20	146159	*	*	1	押え棒スプリング	Presser Bar Spring
21	146694	*	*	1	押え棒抱き (ねじ付)	Presser Bar Lifting Bracket Assembly
22	101057	*	*	1	押え棒抱き締めねじ	Screw 11/64X40 L=9.9
23	146751	*	*	1	押え棒メタル	Presser Bar Bushing (lower)
24	101133	*	*	1	押え棒メタル止めねじ	Set Screw 15/64X28 L=3.8
25	416116	*	*	1	押え棒受 (ねじ付)	Presser Bar Stop Assembly
26	8040	*	*	1	押え棒受締めねじ	Screw 9/64X40 L=8
27	8040	*	*	1	押え金止めねじ	Screw 9/64X40 L=8
28	139462	*	*	1	押え棒	Presser Bar
29	372210	*	*	1	フィンガーガード	Finger Guard
30	146752	*	*	1	押え棒受	Presser Bar Stop
31	154872	*	*	1	上糸調子連結	Tension (needle thread) Releasing Shaft Crank