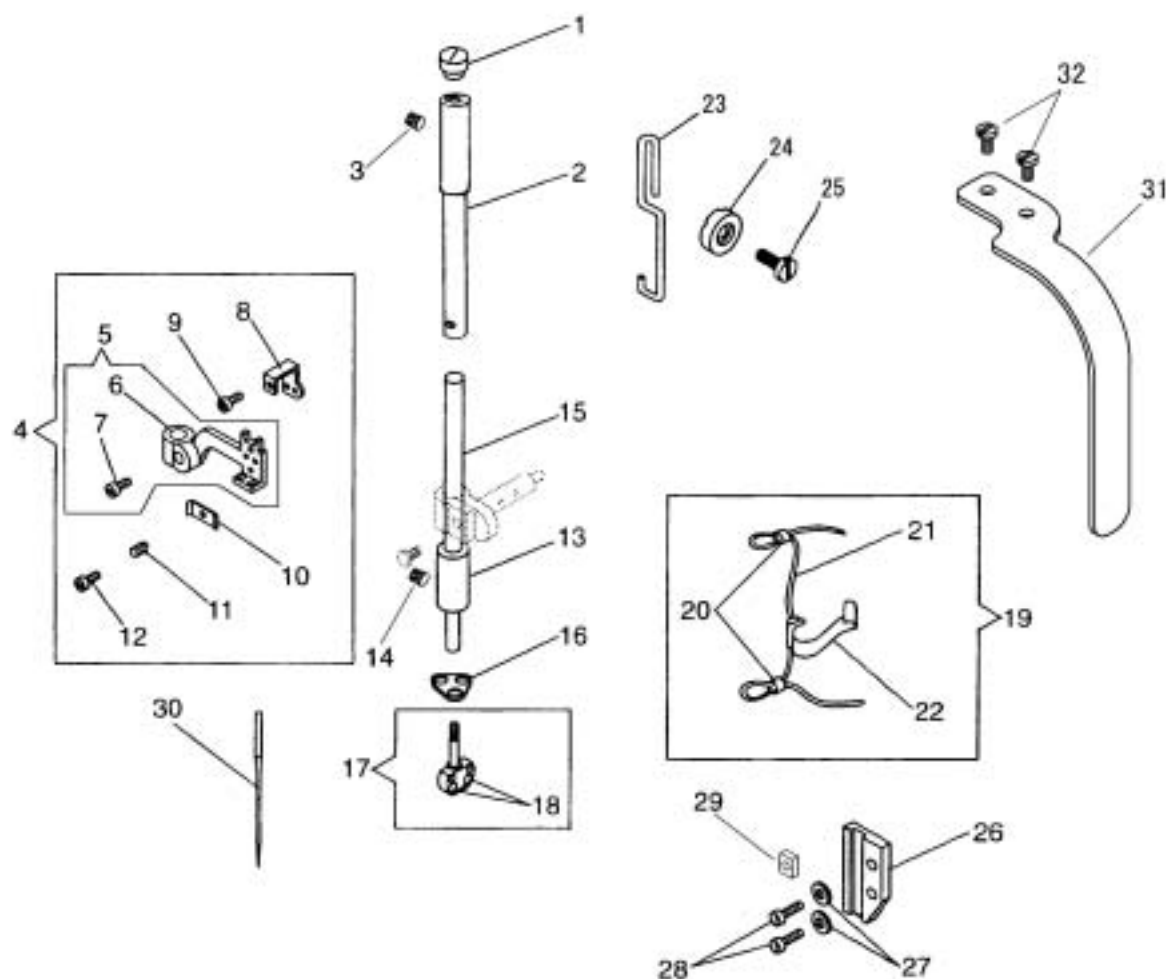


針棒、天秤  
Needle Bar and Thread Take-up



# 針棒、天秤 Needle Bar and Thread Take-up

NO.	部品番号 PART NO.	L26	T26	個数 QTY	品名	DESCRIPTION
1	140440	*	*	1	針棒メタル(上) 栓	Screw 11/32X28 L=7
2	146576	*	*	1	針棒メタル(上)	Needle Bar Bushing (upper)
3	101133	*	*	1	針棒メタル(上)止ねじ	Set Screw 15/64X28 L=3.8
4	416128	*	*	1	天秤・上糸押え 天秤糸通し(組)	Thread (needle) Take-up Assembly
5	416033	*	*	1	天秤(ねじ付)	Thread (needle) Take-up with 8060
6	139179	*	*	1	天秤	Thread (needle) Take-up
7	8060	*	*	1	天秤締めねじ	Screw 9/64X40 L=8
8	139196	*	*	1	天秤糸通し	Thread (needle) Take-up Extension
9	101449	*	*	1	天秤糸通し止ねじ	Screw No.2-64UNF
10	154095	*	*	1	天秤糸押え	Thread (needle) Take-up Plate
11	168164	*	*	1	天秤糸押えスプリング	Spring
12	7016	*	*	1	天秤糸押え段ねじ	Screw 3/32X56 L=4
13	372799	*	*	1	針棒メタル(下)	Needle Bar Bushing (lower)
14	101133	*	*	1	針棒メタル(下)止ねじ	Set Screw 15/64X28 L=3.8
15	146573	*	*	1	針棒	Needle Bar
16	143497	*	*	1	針棒糸掛	Needle Clamp Thread Guide
17	-	*	*	1	針株(ねじ付)	Needle Clamp Assembly
18	-	*	*	2	針止	Set Screw
19	146805	*	*	1	針棒油芯(組)	Needle Bar Bushing Oil Wick Assembly
20	146580	*	*	2	針棒油芯クリップ	Oil Wick Clip
21	146804	*	*	1	針棒油芯	Needle Bar Bushing Oil Wick
22	146703	*	*	1	針棒油芯押え	Oil Wick Clamp and Retainer
23	139198	*	*	1	糸調子掛	Slack Thread Controller
24	154242	*	*	1	糸調子掛押え	Slack Thread Controller Clamp
25	100176	*	*	1	糸調子掛押え止ねじ	Screw 9/64X40 L=9.5
26	146908	*	*	1	針棒クランク案内	Slide Block Guide
27	159456	*	*	2	針棒クランク案内止ワッシャー	Washer
28	101485	*	*	2	針棒クランク案内止ねじ	Screw 11/64X40 L=12.7
29	139111	*	*	1	角玉	Slide Block
30	N2616	*	-	2	針 TV X 7 #16	Needle
30	N4621	-	*	2	針 UY X 128GAS #21	Needle
31	375116	*	*	1	天秤カバー	Tread Take-up Cover
32	8040	*	*	2	天秤カバー止ねじ	Screw 9/64X40 L=8