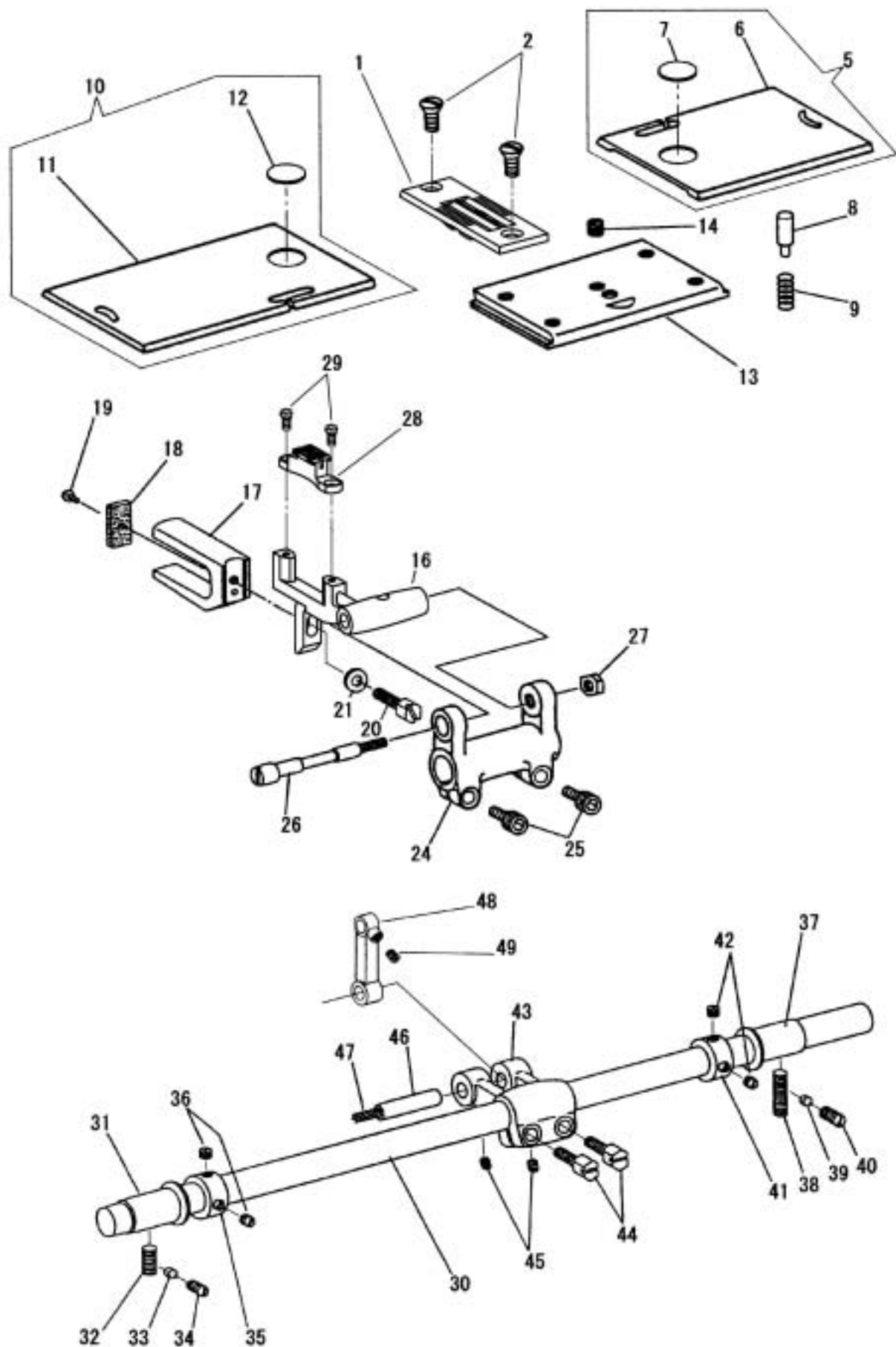


針板、送り土台、送り軸
 THROAT PLATE, FEED BAR, FEED DRIVING ROCK SHAFT



針板、送り土台、送り軸

THROAT PLATE, FEED BAR, FEED DRIVING ROCK SHAFT

No	部品番号 PARTS No	-28BL-2 -28BL/TA-2	員数 QTY	品名	DESCRIPTION
1	40210-04	* -	1	針板 (1/4") (標準)	THROAT PLATE (1/4") (Std.)
1	40258-04	- *	1	針板 (1/4") (標準)	THROAT PLATE (1/4") (Std.)
2	40152	* *	2	針板止めねじ	THROAT PLATE SCREW M4X0.7 L=6.5
5	10061-WC	* -	1	角板 (右) (1/4") (組) (標準)	BED SLIDE (RIGHT) (1/4") COMP. (Std.)
5	10061-AC	- *	1	角板 (右) (1/4") (組) (標準)	BED SLIDE (RIGHT) (1/4") COMP. (Std.)
6	10061-W	* -	1	角板 (右) (1/4") (標準)	BED SLIDE (RIGHT) (1/4") (BODY) (Std.)
6	10061-WA	- *	1	角板 (右) (1/4") (標準)	BED SLIDE (RIGHT) (1/4") (BODY) (Std.)
7	BS07320	* *	1	角板 (右) のぞき窓	BED SLIDE (RIGHT) WINDOW
8	10667	* *	1	角板 (右) ピン	BED SLIDE (RIGHT) PIN
9	10668	* *	1	角板 (右) スプリング	BED SLIDE (RIGHT) SPRING
10	10042-WC	* -	1	角板 (左) (1/4") (組) (標準)	BED SLIDE (LEFT) (1/4") COMP. (Std.)
10	10042-AC	- *	1	角板 (左) (1/4") (組) (標準)	BED SLIDE (LEFT) (1/4") COMP. (Std.)
11	10042-W	* -	1	角板 (左) (1/4") (標準)	BED SLIDE (LEFT) (1/4") (Std.)
11	10042-WA	- *	1	角板 (左) (1/4") (標準)	BED SLIDE (LEFT) (1/4") (Std.)
12	BS07320	* *	1	角板 (左) のぞき窓	BED SLIDE (LEFT) WINDOW
13	11166C	* *	1	差し板 (組)	BED SLIDE (FRONT) COMP.
14	13085	* *	1	差し板止めねじ	SCREW 13/64X32 L=4.8
16	40151	* *	1	送り土台	FEED BAR
17	10595	* *	1	コの字	FEED LIFTING ECCENTRIC FORK
18	10596	* *	1	コの字フェルト	OILING FELT
19	10597	* *	1	コの字フェルト止めねじ	SCREW 1/8X40 L=3.3
20	70129	* *	1	コの字止めねじ	FORK SCREW 7/32X32 L=15.0
21	10599	* *	1	コの字ワッシャー	WASHER
24	16704	* *	1	送り腕	FEED DRIVING ROCK FRAME
25	18065	* *	2	送り腕締めねじ	PINCH SCREW M5X0.8 L=14.0
26	16705	* *	1	送り土台ピンねじ	FEED BAR HINGE SCREW
27	16706	* *	1	送り土台ピンねじナット	NUT 1/4X28
28	40220-04	* -	1	送り歯 (1/4") (標準)	FEED DOG (1/4") (Std.)
28	40259-04	- *	1	送り歯 (1/4") (標準)	FEED DOG (1/4") (Std.)
29	60540	* *	2	送り歯止めねじ	FEED DOG SCREW M4X0.7 L=8.0
30	11888	* *	1	送り軸	FEED DRIVING ROCK SHAFT
31	25286	* *	1	送り軸メタル (前)	FEED DRIVING ROCK SHAFT BUSHING (FRONT)
32	25287	* *	1	送り軸メタル (前) 止めねじ	SET SCREW 17/64X32 L=14.0
33	11068	* *	1	ライナー	LINER
34	25163	* *	1	ライナー止めねじ	LINER SET SCREW 17/64X32
35	25291	* *	1	送り軸カラー (前)	FEED DRIVING ROCK SHAFT COLLAR (FRONT)
36	25156	* *	2	送り軸カラー (前) 止めねじ	SET SCREW 1/4X32 L=4.0
37	25628	* *	1	送り軸メタル (後)	FEED DRIVING ROCK SHAFT BUSHING (BACK)
38	25170	* *	1	送り軸メタル (後) 止めねじ	SET SCREW 17/64X32
39	11068	* *	1	ライナー	LINER
40	25163	* *	1	ライナー止めねじ	LINER SET SCREW 17/64X32
41	25291	* *	1	送り軸カラー (後)	FEED DRIVING ROCK SHAFT COLLAR (BACK)
42	25156	* *	2	送り軸カラー (後) 止めねじ	SET SCREW 1/4X32 L=4.0
43	16708	* *	1	送り軸前だるま	FEED DRIVING ROCK SHAFT CRANK
44	19420	* *	2	送り軸前だるま締めねじ	PINCH SCREW 1/4X28 L=16.0
45	11953	* *	2	送り軸前だるまピン止めねじ	SET SCREW 7/32X32 L=5.5
46	11962	* *	1	送り軸前だるまピン	FEED DRIVING ROCK SHAFT CRANK PIN
47	11954	* *	1	送り軸前だるまピン油芯	OILING WICK
48	34010	* *	1	バック連結	FEED ROCK SHAFT DRIVING LINK
49	11953	* *	1	バック連結ピン止めねじ	SET SCREW 7/32X32 L=5.5