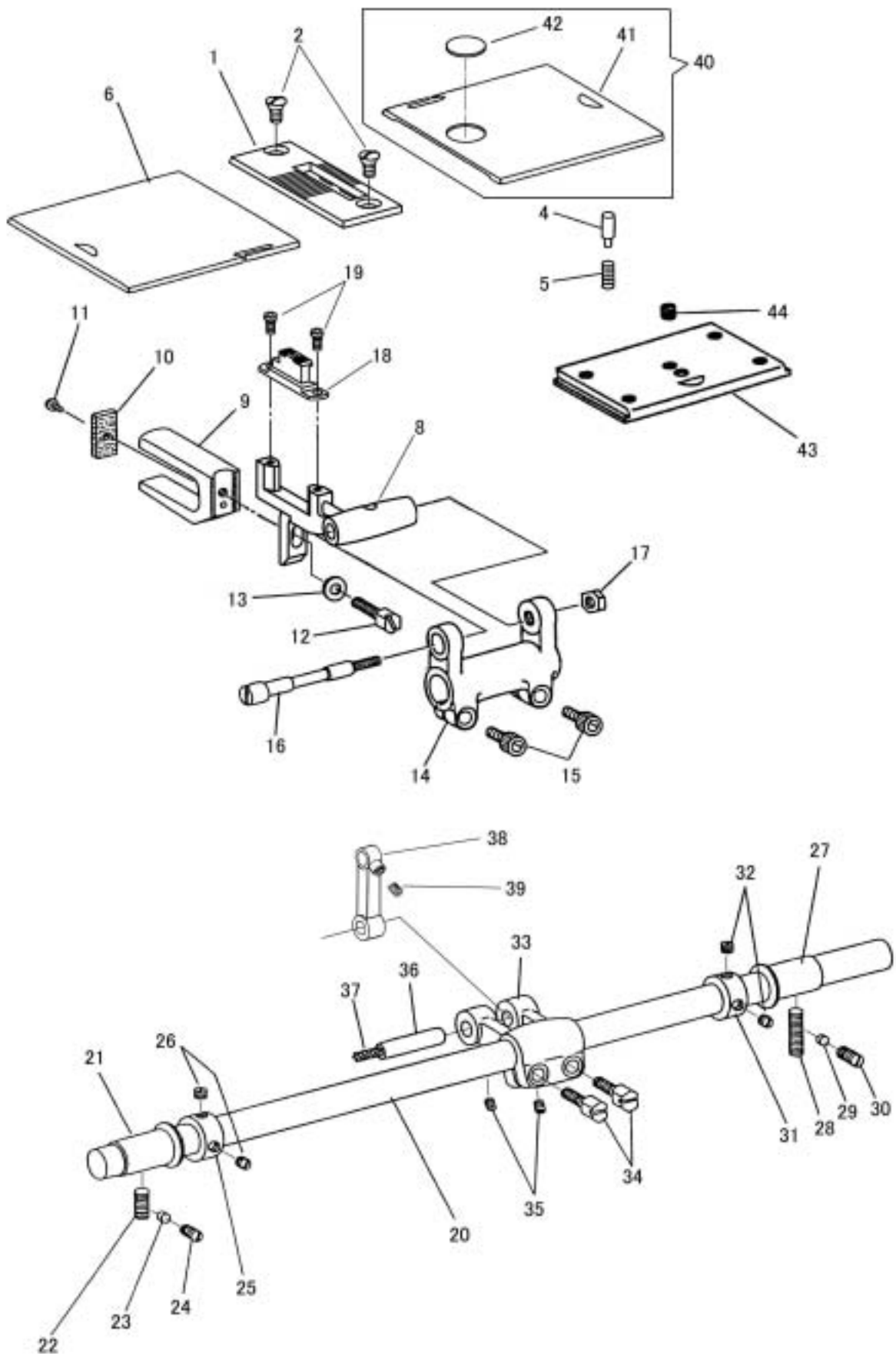


針板、送り土台、送り軸
 THROAT PLATE, FEED BAR, FEED DRIVING ROCK SHAFT



針板、送り土台、送り軸

THROAT PLATE, FEED BAR, FEED DRIVING ROCK SHAFT

No	部品番号 PARTS No	-8BL-2 -8BL/TA-2	員数 QTY	品名	DESCRIPTION
1	40150	*	1	針板	THROAT PLATE
1	40160	- *	1	針板	THROAT PLATE
2	40152	* *	2	針板止めねじ	THROAT PLATE SCREW M4X0.7 L=6.5
4	10667	* *	1	角板(右)ピン	BED SLIDE (RIGHT) PIN
5	10668	* *	1	角板(右)スプリング	BED SLIDE (RIGHT) SPRING
6	25627	* -	1	角板(左)	BED SLIDE (LEFT)
6	25627-TA	- *	1	角板(左)	BED SLIDE (LEFT)
8	40151	* *	1	送り土台	FEED BAR
9	10595	* *	1	コの字	FEED LIFTING ECCENTRIC FORK
10	10596	* *	1	コの字フェルト	OILING FELT
11	10597	* *	1	コの字フェルト止めねじ	SCREW 1/8X40 L=3.3
12	70129	* *	1	コの字止めねじ	FORK SCREW 7/32X32 L=15.0
13	10599	* *	1	コの字ワッシャー	WASHER
14	16704	* *	1	送り腕	FEED DRIVING ROCK FRAME
15	18065	* *	2	送り腕締ねじ	PINCH SCREW M5X0.8 L=14.0
16	16705	* *	1	送り土台ピンねじ	FEED BAR HINGE SCREW
17	16706	* *	1	送り土台ピンねじナット	NUT 1/4X28
18	40153	* -	1	送り歯	FEED DOG
18	40161	- *	1	送り歯	FEED DOG
19	60540	* *	2	送り歯止めねじ	FEED DOG SCREW M4X0.7 L=8.0
20	11888	* *	1	送り軸	FEED DRIVING ROCK SHAFT
21	25286	* *	1	送り軸メタル(前)	FEED DRIVING ROCK SHAFT BUSHING (FRONT)
22	25287	* *	1	送り軸メタル(前)止めねじ	SET SCREW 17/64X32 L=14.0
23	11068	* *	1	ライナー	LINER
24	25163	* *	1	ライナー止めねじ	LINER SET SCREW 17/64X32
25	25291	* *	1	送り軸カラー(前)	FEED DRIVING ROCK SHAFT COLLAR (FRONT)
26	25156	* *	2	送り軸カラー(前)止めねじ	SET SCREW 1/4X32 L=4.0
27	25628	* *	1	送り軸メタル(後)	FEED DRIVING ROCK SHAFT BUSHING (BACK)
28	25170	* *	1	送り軸メタル(後)止めねじ	SET SCREW 17/64X32 L=20.0
29	11068	* *	1	ライナー	LINER
30	25163	* *	1	ライナー止めねじ	LINER SET SCREW 17/64X32
31	25291	* *	1	送り軸カラー(後)	FEED DRIVING ROCK SHAFT COLLAR (BACK)
32	25156	* *	2	送り軸カラー(後)止めねじ	SET SCREW 1/4X32 L=4.0
33	16708	* *	1	送り軸前だるま	FEED DRIVING ROCK SHAFT CRANK
34	19420	* *	2	送り軸前だるま締めねじ	PINCH SCREW 1/4X28 L=16.0
35	11953	* *	2	送り軸前だるまピン止めねじ	SET SCREW 7/32X32 L=5.5
36	11962	* *	1	送り軸前だるまピン	FEED DRIVING ROCK SHAFT CRANK PIN
37	11954	* *	1	送り軸前だるまピン油芯	OILING WICK
38	34010	* *	1	バック連結	FEED ROCK SHAFT DRIVING LINK
39	11953	* *	1	バック連結ピン止めねじ	SET SCREW 7/32X32 L=5.5
40	10060-WC	* -	1	角板(右)(組)	BED SLIDE (RIGHT) COMP.
40	10060-AC	- *	1	角板(右)(組)	BED SLIDE (RIGHT) COMP.
41	10060-W	* -	1	角板(右)	BED SLIDE (RIGHT) (BODY)
41	10060-WA	- *	1	角板(右)	BED SLIDE (RIGHT) (BODY)
42	BS07320	* *	1	角板(右)のぞき窓	BED SLIDE (RIGHT) WINDOW
43	11166C	* *	1	差し板(組)	BED SLIDE (FRONT) COMP.
44	13085	* *	1	差し板止めねじ	SCREW 13/64X32 L=4.8