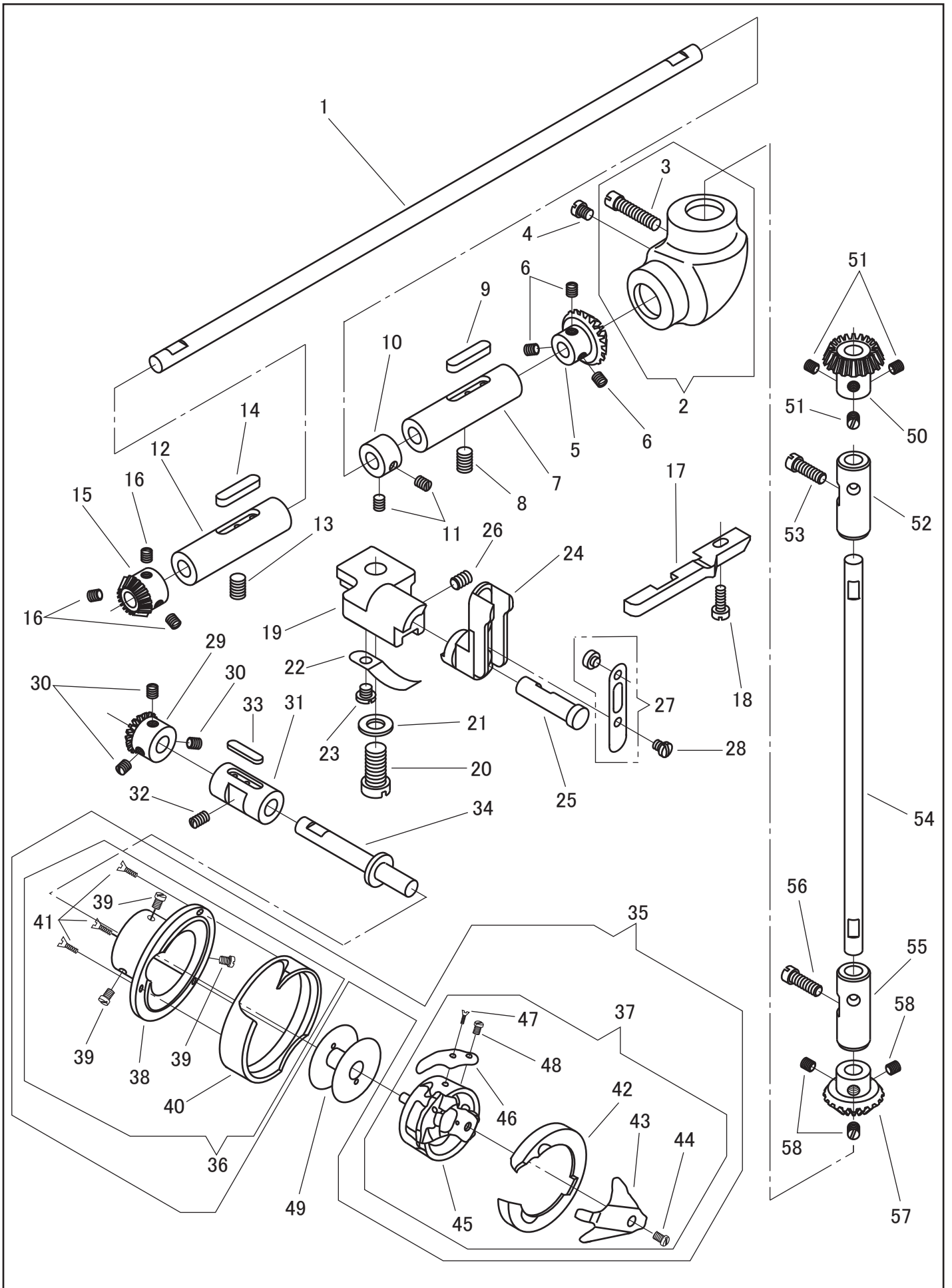


立軸、かま / ARM SHAFT (UPRIGHT), ROTATING HOOK



立軸、かま/ARM SHAFT (UPRIGHT), ROTATING HOOK

| No. | 部品番号 PARTS NO. | 2B | 2B-3 | 2B-4 | 個数 QTY | 品名 | DESCRIPTION |
|-----|-------------------|----|------|------|-----------|-----------------|--|
| 1 | 1532 | * | * | * | 1 | 下軸 | LOWER SHAFT |
| 2 | 1337 | * | * | * | 1 | 下軸ギヤーカバーねじ付 | LOWER SHAFT GEAR COVER WITH SCREW |
| 3 | 1331 | * | * | * | 1 | 下軸ギヤーカバー止めねじ | SCREW 9/32X20 L=24.5 |
| 4 | 1454 | * | * | * | 1 | ギヤーカバー油栓 | OIL CAP |
| 5 | 1336 | * | * | * | 1 | 下軸ギヤー(後) | LOWER SHAFT GEAR (REAR) |
| 6 | 10828 | * | * | * | 3 | 下軸ギヤー(後)止めねじ | SCREW 1/4X40 L=5 |
| 7 | 1340 | * | * | * | 1 | 下軸メタル(後) | H/SHAFT BUSHING (REAR) |
| 8 | 6042 | * | * | * | 1 | 下軸メタル(後)止めねじ | SCREW 5/16X24 L=9 |
| 9 | 17026 | * | * | * | 1 | 下軸メタル(後)フェルト | OIL FELT |
| 10 | 1342 | * | * | * | 1 | 下軸カラー | LOWER SHAFT COLLAR |
| 11 | 8097 | * | * | * | 2 | 下軸カラー止めねじ | SCREW 15/64X28 L=5 |
| 12 | 1548 | * | * | * | 1 | 下軸メタル(前) | LOWER SHAFT BUSHING (FRONT) |
| 13 | 1327 | * | * | * | 1 | 下軸メタル(前)止めねじ | SCREW 5/16X24 L=13 |
| 14 | 17026 | * | * | * | 1 | 下軸メタル(前)フェルト | OIL FELT |
| 15 | 1531 | * | * | * | 1 | 下軸ギヤー(前) | LOWER SHAFT GEAR (FRONT) |
| 16 | 10828 | * | * | * | 3 | 下軸ギヤー(前)止めねじ | SCREW 1/4X40 L=5 |
| 17 | 1856 | * | * | * | 1 | かま受 | HOOK RETAINER |
| 18 | 6025 | * | * | * | 1 | かま受止めねじ | SCREW 11/64X40 L=12 |
| 19 | 1528 | * | * | * | 1 | かま押え土台 | HOOK RETAINER BRACKET |
| 20 | 1346 | * | * | * | 1 | かま押え土台止めねじ | SCREW 5/16X28 L=19 |
| 21 | 0058 | * | * | * | 1 | かま押え土台止めねじワッシャー | WASHER |
| 22 | 1349 | * | * | * | 1 | かま押え土台板ばね | POSITION SPRING |
| 23 | 8064 | * | * | * | 1 | かま押え土台板ばね止めねじ | SCREW 11/64X40 L=4 |
| 24 | 1347 | * | * | * | 1 | かま押え | BOBBIN CASE RETAINER |
| 25 | 1348 | * | * | * | 1 | かま押えピン | HINGE STUD |
| 26 | 8009 | * | * | * | 1 | かま押えピン止めねじ | SCREW 15/64X28 L=7.5 |
| 27 | 1350 | * | * | * | 1 | ピン付板ばね | RETAINER SPRING WITH PIN |
| 28 | 3052 | * | * | * | 1 | ピン付板ばね止めねじ | SCREW 9/64X40 L=4.5 |
| 29 | 1531 | * | * | * | 1 | かま軸ギヤー | HOOK SHAFT GEAR |
| 30 | 10828 | * | * | * | 3 | かま軸ギヤー止めねじ | SCREW 1/4X40 L=5 |
| 31 | 1530 | * | * | * | 1 | かま軸メタル | HOOK SHAFT BUSHING |
| 32 | 8009 | * | * | * | 1 | かま軸メタル止めねじ | SCREW 15/64X28 L=7.5 |
| 33 | 17026 | * | * | * | 1 | かま軸メタルフェルト | OIL FELT |
| 34 | 1529 | * | * | * | 1 | かま軸 | HOOK SHAFT |
| 35 | 1855 | * | * | * | 1 | かま(組) | ROTATING HOOK AND BOBBIN CASE COMPLETE |
| 36 | 1855-3C | * | * | * | 1 | 外かま(組) | ROTATING HOOK COMPLETE |
| 37 | 1855-8C | * | * | * | 1 | 内かま(組) | BOBBIN CASE COMPLETE |
| 38 | 1855-01 | * | * | * | 1 | 外かま土台 | ROTATING HOOK BASE |
| 39 | 1855-02 | * | * | * | 3 | 外かま土台止めねじ | SCREW |
| 40 | 1855-03 | * | * | * | 1 | 外かま | ROTATING HOOK |
| 41 | 1855-04 | * | * | * | 3 | 外かま止めねじ | SCREW |
| 42 | 1855-05 | * | * | * | 1 | 内かま押え | BOBBIN CASE HOLDER |
| 43 | 1855-06 | * | * | * | 1 | 内かま押えばね | BOBBIN CASE HOLDER SPRING |
| 44 | 1855-07 | * | * | * | 1 | 内かま押えばね止めねじ | SCREW |
| 45 | 1855-08 | * | * | * | 1 | 内かま | BOBBIN CASE |
| 46 | 1855-13 | * | * | * | 1 | 下糸調子ばね | BOBBIN CASE TENSION SPRING |
| 47 | 1855-14 | * | * | * | 1 | 下糸調子ばね調節ねじ | SCREW |
| 48 | 1855-15 | * | * | * | 1 | 下糸調子ばね止めねじ | SCREW |
| 49 | 1441 | * | * | * | 1 | ボビン | BOBBIN |
| 50 | 1332 | * | * | * | 1 | 小ギヤー | ARM SHAFT (UPRIGHT) GEAR (SMALL) |
| 51 | 10828 | * | * | * | 3 | 小ギヤー止めねじ | SCREW 1/4X40 L=5 |
| 52 | 1334 | * | * | * | 1 | 立軸メタル(上) | ARM SHAFT (UPRIGHT) BUSHING (UPPER) |
| 53 | 1365 | * | * | * | 1 | 立軸メタル(上)止めねじ | SCREW 15/64X28 L=16 |
| 54 | 1333 | * | * | * | 1 | 立軸 | ARM SHAFT (UPRIGHT) |
| 55 | 1335 | * | * | * | 1 | 立軸メタル(下) | ARM SHAFT (UPRIGHT) BUSHING (LOWER) |
| 56 | 1365 | * | * | * | 1 | 立軸メタル(下)止めねじ | SCREW 15/64X28 L=16 |
| 57 | 1336 | * | * | * | 1 | 立軸ギヤー(下) | ARM SHAFT (UPRIGHT) GEAR (LOWER) |
| 58 | 10828 | * | * | * | 3 | 立軸ギヤー(下)止めねじ | SCREW 1/4X40 L=5 |