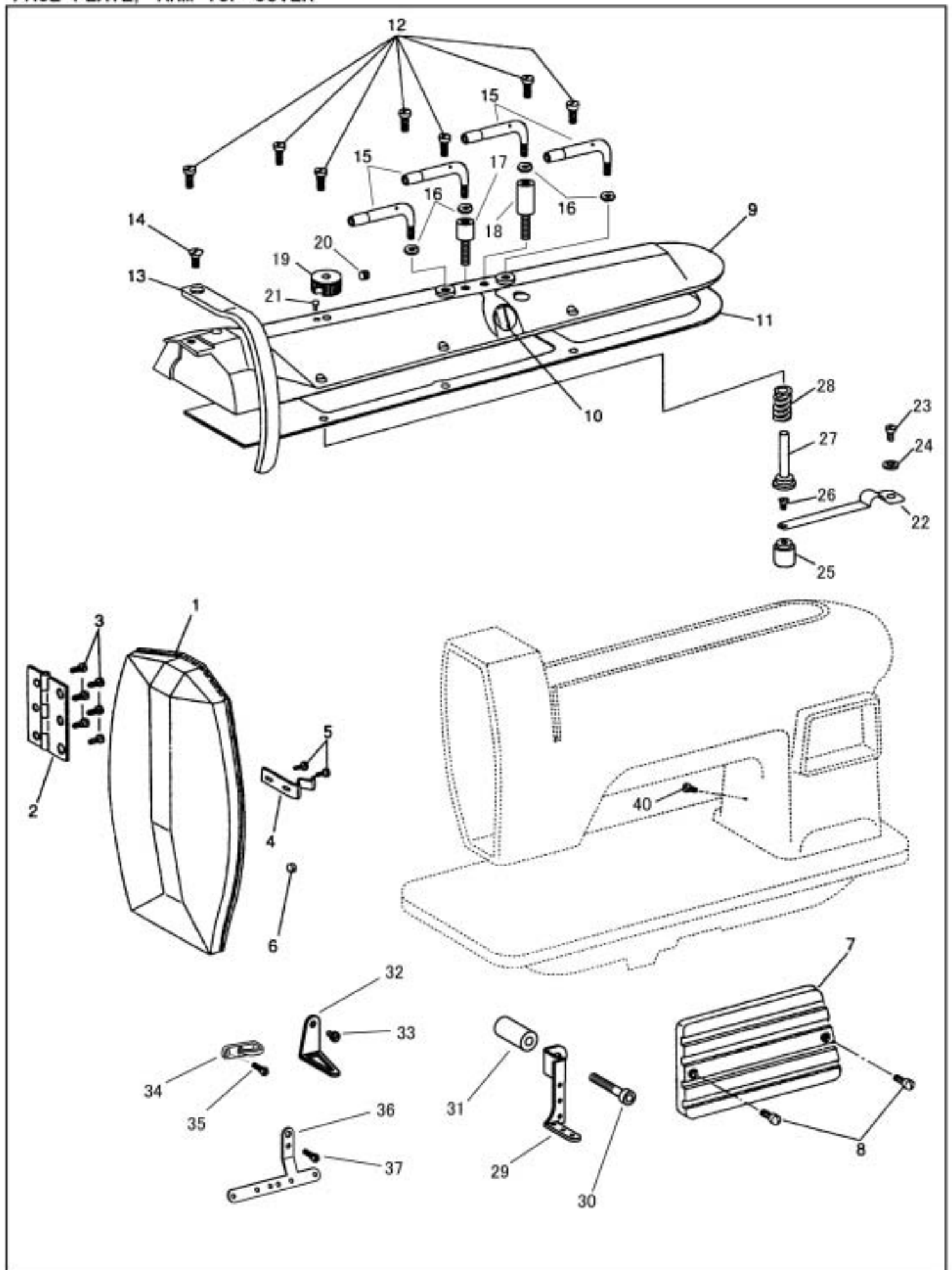


面板、上板
FACE PLATE, ARM TOP COVER



面板、上板
FACE PLATE, ARM TOP COVER

No	部品番号 PART NO	数量 QTY	品名	DESCRIPTION
1	15035	1	面板	FACE PLATE
2	15036	1	蝶番	HINGE
3	15039	6	止めねじ	SCREW 1/8X44 L=3.5
4	15037	1	面板ばね	FACE PLATE SPRING
5	15039	2	止めねじ	SCREW 1/8X44 L=3.5
6	15038	1	面板ゴム	RUBBER
7	15006	1	横板	ARM SIDE COVER
8	8040	2	止めねじ	SCREW 9/64X40 L=8.0
9	15938	1	上板	ARM TOP COVER
10	11007	1	油量覗き窓	OIL LEVEL INDICATOR
11	15004	1	上板シートパッキン	GASKET
12	15007	7	止めねじ	SCREW 9/64X40 L=10.0
13	36708	1	天秤カバー	THREAD TAKE UP COVER
14	6031-02	1	止めねじ	SCREW 11/64X40 L=9.0
15	11006	4	上板糸掛	ARM TOP COVER THREAD GUIDE
16	13076-02	4	ナット	NUT 7/32X32
17	C0001	1	上板糸掛支柱(短)	THREAD GUIDE SUPPORT (SHORT)
18	C0002	1	上板糸掛支柱(長)	THREAD GUIDE SUPPORT (LONG)
19	15057	1	給油遮断ダイヤル	OIL REGULATING DIAL
20	8009	1	止めねじ	SET SCREW 15/64X28 L=7.5
21	15061	1	給油遮断ピン	OIL REGULATING PIN
22	15086	1	油調節板ばね	OIL CONTROL SPRING
23	8040	1	止めねじ	SCREW 9/64X40 L=8.0
24	11142	1	ワッシャー	WASHER
25	11004	1	油調節おもり	OIL REGULATOR
26	10597	1	止めねじ	SCREW 1/8X40 L=3.3
27	15058	1	給油遮断軸	OIL REGULATING STUD
28	15059	1	給油遮断スプリング	OIL REGULATING SPRING
29	C0003	1	大糸掛(右)	THREAD RETAINER (RIGHT)
30	C0004	1	止めねじ	SCREW
31	C0005	1	スペーサ	SPACER
32	C0006	1	糸掛A	THREAD GUIDE A
33	C0007	1	止めねじ	SCREW
34	10682	1	面糸掛	THREAD GUIDE
35	10685	1	止めねじ	SCREW
36	C0091	1	糸掛B	THREAD GUIDE B
37	C0009	1	止めねじ	SCREW
40	30046	1	アース線止めねじ	EARTH WIRE SCREW M4X0.7 L=4.0