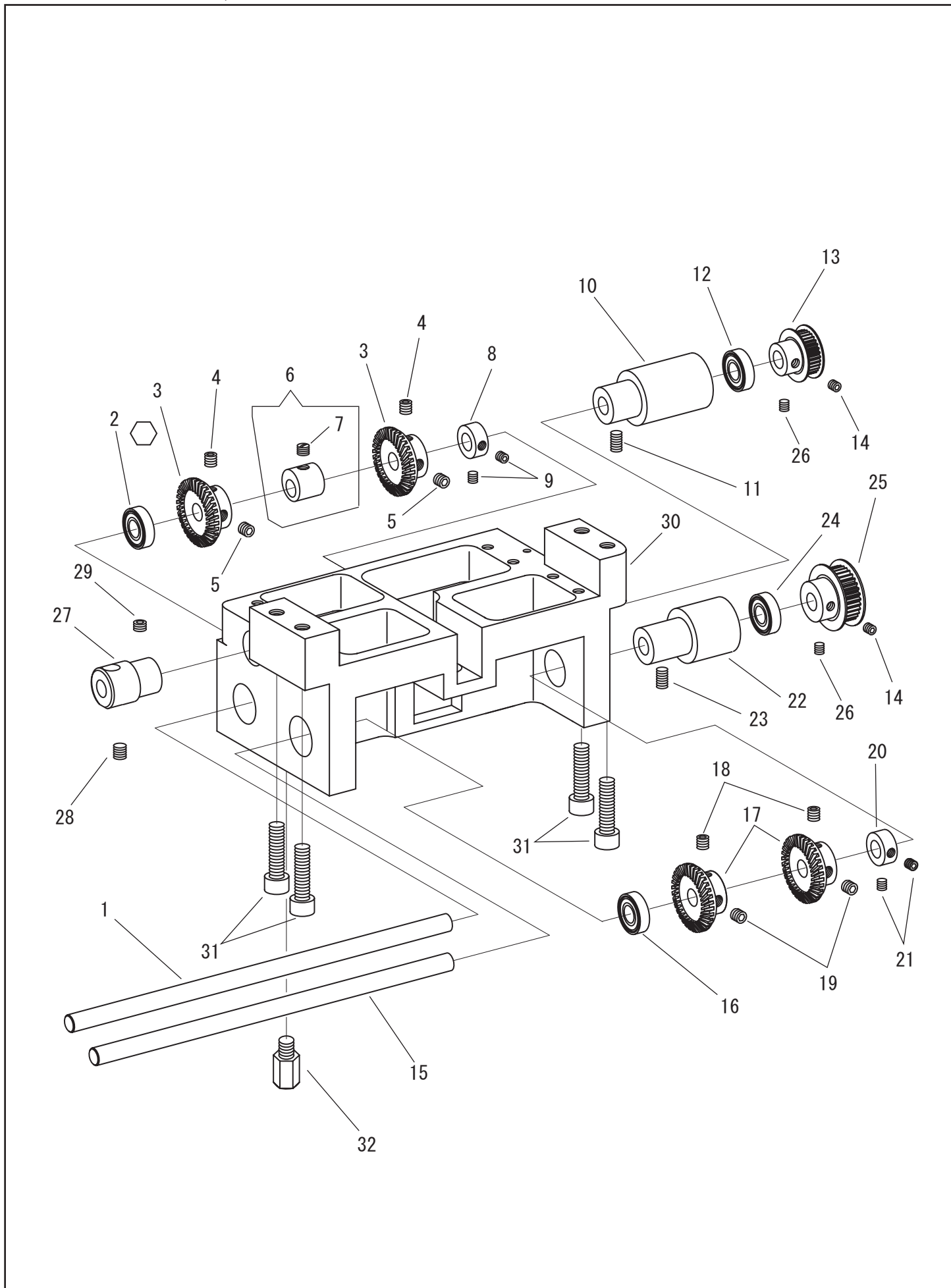


大ギヤー、カマ土台受台
HOOK DRIVING GEAR, HOOK SADDLE BASE



大ギヤー、カマ土台受台
HOOK DRIVING GEAR, HOOK SADDLE BASE

No	部品番号 PART NO	数量 QTY	品名	DESCRIPTION
1	C0063	1	カマ駆動軸(後)	HOOK DRIVING SHAFT (REAR)
2	C0064	1	カマ駆動軸(後)ベアリング(左)	BEARING (LEFT)
3	C0065	2	大ギヤー	HOOK DRIVING GEAR
4	17019A	2	止めねじ	SCREW 1/4X40 L=7.5
5	17019A	2	止めねじ	SCREW 1/4X40 L=7.5
6	10637	1	送り上下カム(ねじ付)	FEED LIFTING CAM COMPLETE
7	10658	1	止めねじ	SET SCREW 1/4X32 L=5.5
8	C0068	1	カマ駆動軸カラー	HOOK DRIVING SHAFT COLLAR
9	C0069	2	止めねじ	SCREW
10	C0070	1	ベアリングケース(後)	BEARING HOLDER (REAR)
11	C0071	1	止めねじ	SCREW
12	C0064	1	カマ駆動軸(後)ベアリング(右)	BEARING (RIGHT)
13	C0023	1	タイミングプーリー(小)	TIMING PULLEY (SMALL)
14	18028	2	止めねじ	SCREW M5X0.8 L=5
15	C0072	1	カマ駆動軸(前)	HOOK DRIVING SHAFT (FRONT)
16	C0064	1	カマ駆動軸(前)ベアリング(左)	BEARING (LEFT)
17	C0065	2	大ギヤー	HOOK DRIVING GEAR
18	17019A	2	止めねじ	SCREW 1/4X40 L=7.5
19	17019A	2	止めねじ	SCREW 1/4X40 L=7.5
20	C0068	1	カマ駆動軸(前)カラー	HOOK DRIVING SHAFT COLLAR
21	C0069	2	止めねじ	SCREW
22	C0073	1	ベアリングケース(前)	BEARING HOLDER (FRONT)
23	C0071	1	止めねじ	SCREW
24	C0064	1	カマ駆動軸(前)ベアリング(右)	BEARING (RIGHT)
25	C0026	1	タイミングプーリー(大)	TIMING PULLEY (LARGE)
26	C0024	2	止めねじ	SCREW
27	C0074	1	カマ土台受台ガイドブッシング	GUIDE BUSHING
28	C0075	1	止めねじ	SCREW
29	C0076	1	止めねじ	SCREW
30	C0092	1	カマ土台受台	HOOK SADDLE BASE
31	C0078	4	止めねじ	SCREW
32	C0107	1	本体支え棒(短)	BED SUPPORT BOLT (SHORT)