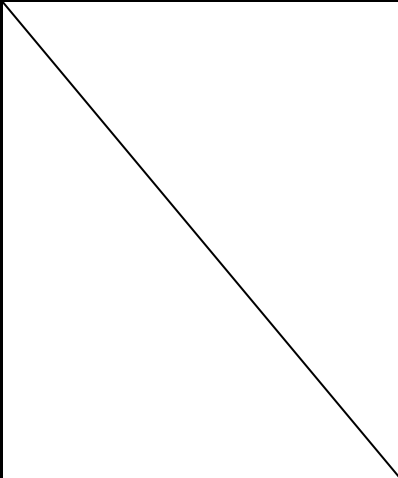
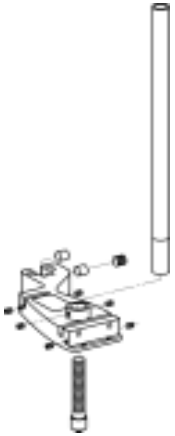
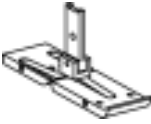






ゲージ表
TABLE OF GAUGE PARTS

									
		針幅 GAUGE SIZE		針株(組) NEEDLE CLAMP COMPLETE	押え金 PRESSER FOOT	針板 THROAT PLATE	送り歯 FEED DOG	角板(左) BED SLIDE (LEFT)	角板(右) BED SLIDE (RIGHT)
		inch	mm						
		1/4" - 1/4" - 1/4"	6.4X6.4X6.4	C0181C	C0126	C0131	C0136	C0141	C0146
1/4" - 5/16" - 1/4"	6.4X8X6.4	C0182C	C0127	C0132	C0137	C0142	C0147		
1/4" - 3/8" - 1/4"	6.4X9.6X6.4	C0183C	C0128	C0133	C0138	C0143	C0148		

標準ゲージ (Standard gauges)