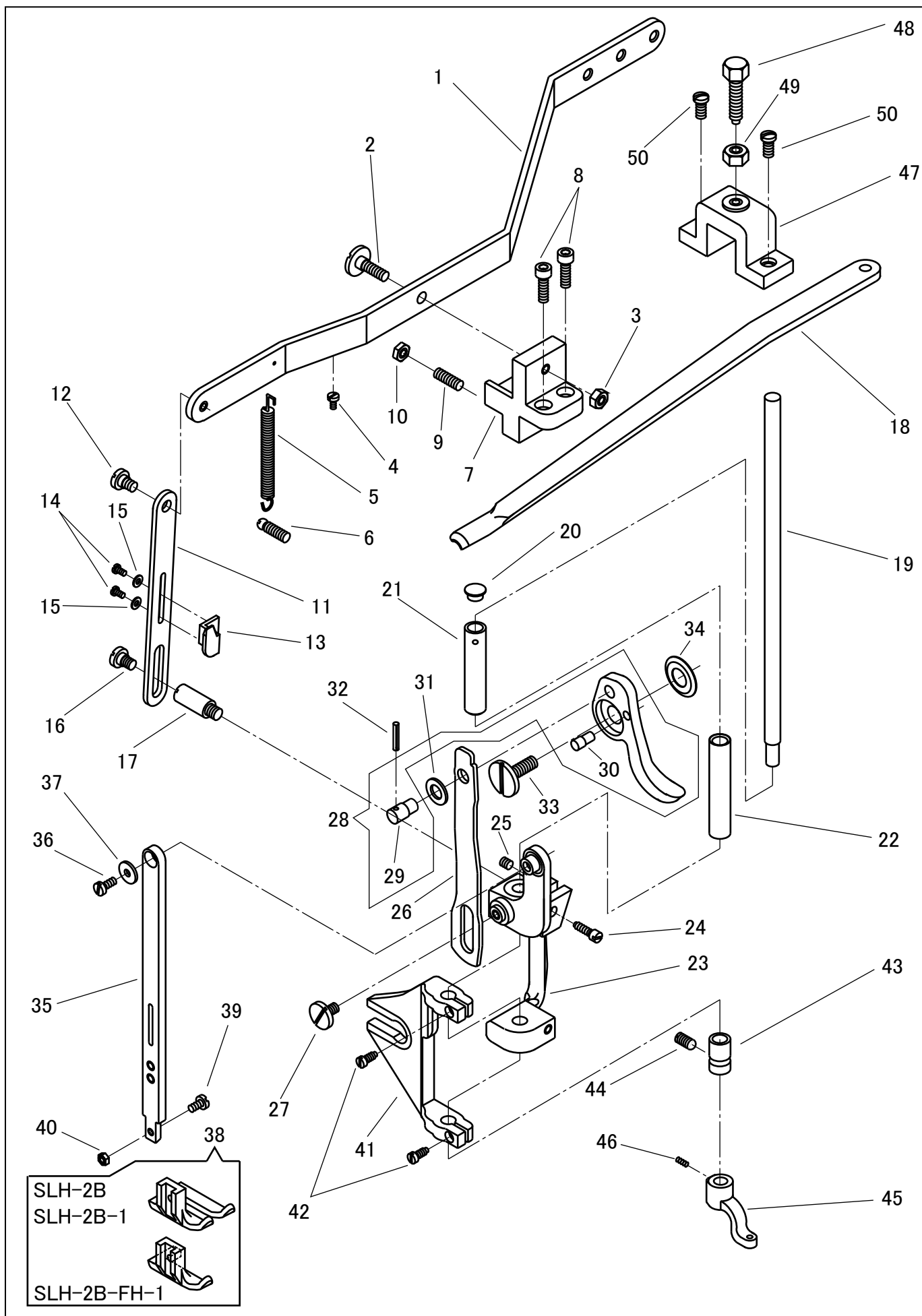


押え棒・上送り棒/PRESSER BAR, UPPER FEED BAR



押え棒・上送り棒/PRESSER BAR, UPPER FEED BAR

| No. | 部品番号 PARTS NO. | 2B | 2B-1 | 2B-FH-1 | 個数 QTY | 品名 | DESCRIPTION |
|-----|-------------------|----|------|---------|-----------|-------------------|------------------------------------|
| 1 | 35131 | * | * | * | 1 | 大弓 | FOOT LIFTING LEVER |
| 2 | 35134 | * | * | * | 1 | 大弓止めねじ | SCREW 6.75X24 |
| 3 | 10636 | * | * | * | 1 | 大弓止ナット | NUT 6.75X24 |
| 4 | 6333 | * | * | - | 1 | 大弓受ねじ | SCREW 9/64X40 L=6.5 |
| 5 | 35276 | * | * | * | 1 | 大弓スプリング | FOOT LIFTING LEVER SPRING |
| 6 | 11154 | * | * | * | 1 | 大弓スプリング掛 | SCREW 6.75X24 L=19 |
| 7 | 35130 | * | * | * | 1 | 大弓受台 | FOOT LIFTING LEVER BRACKET |
| 8 | 35034 | * | * | * | 2 | 大弓受台止めねじ | SCREW M6X1 L=20 |
| 9 | 10571 | * | * | * | 1 | 大弓受台押しねじ | SCREW 6.75X24 L=20 |
| 10 | 10586 | * | * | * | 1 | 大弓受台押しねじナット | NUT 6.75X24 |
| 11 | 35311 | * | * | * | 1 | 大弓連結 | LIFTING BRACKET |
| 12 | 10712 | * | * | * | 1 | 大弓連結止めねじ | SCREW 6.75X24 |
| 13 | 35145 | * | * | * | 1 | 糸ゆるめ板 | TENSION RELEASE LEVER |
| 14 | 8100 | * | * | * | 2 | 糸ゆるめ板止めねじ | SCREW 9/64X40 L=6.5 |
| 15 | 30025 | * | * | * | 2 | 糸ゆるめ板止ワッシャー | WASHER |
| 16 | 10712 | * | * | * | 1 | 大弓連結止めねじ | SCREW 6.75X24 |
| 17 | 35135 | * | * | * | 1 | 大弓連結ピンねじ | SCREW 6.75X24 L=8 |
| 18 | 35125 | * | * | * | 1 | 大板ばね | PRESSER BAR SPRING |
| 19 | 35140 | * | * | * | 1 | 押え棒 | PRESSER BAR |
| 20 | 35136 | * | * | * | 1 | 押え棒スリーブキャップ | SLEEVE CAP |
| 21 | 35137 | * | * | * | 1 | 押え棒スリーブ(上) | PRESSER BAR SLEEVE (UPPER) |
| 22 | 35138 | * | * | * | 1 | 押え棒スリーブ(下) | PRESSER BAR SLEEVE (LOWER) |
| 23 | 35309 | * | * | * | 1 | 押え棒抱き | PRESSER BAR CLAMP |
| 24 | 6029 | * | * | * | 1 | 押え棒抱き振れ締めねじ | SCREW 3/16X28 |
| 25 | 35228 | * | * | * | 1 | 押え棒抱き振れ止調節ねじ | SCREW 15/64X28 L=6 |
| 26 | 35152 | * | - | - | 1 | 押え上げ連結 | PRESSER BAR LIFTING LINK |
| 26 | 35308 | - | * | * | 1 | 押え上げ連結 | PRESSER BAR LIFTING LINK |
| 27 | 35154 | * | * | * | 1 | 押え上げ連結止めねじ | SCREW 1/4X24 L=11 |
| 28 | 35147C | * | * | * | 1 | 押え上げレバー | PRESSER BAR LIFTING LEVER COMPLETE |
| 29 | 35148 | * | * | * | 1 | 押え上げレバーピン(大) | PIN (LARGE) |
| 30 | 35149 | * | * | * | 1 | 押え上げレバーピン(小) | PIN (SMALL) |
| 31 | 35153 | * | * | * | 1 | 押え上げ連結ワッシャー | WASHER |
| 32 | 18826 | * | * | * | 1 | 押え上げ連結ピン | PIN |
| 33 | 35150 | * | * | * | 1 | 押え上げレバー段ねじ | SCREW 5/16X24 |
| 34 | 35151 | * | * | * | 1 | 押え上げレバースプリングワッシャー | WASHER |
| 35 | 35093 | * | * | * | 1 | 上送り棒 | UPPER FEED BAR |
| 36 | 8089 | * | * | * | 1 | 上送り棒止めねじ | SCREW 3/16X32 L=11 |
| 37 | 35094 | * | * | * | 1 | 上送り棒ワッシャー | WASHER |
| 38 | 35096 | * | * | - | 1 | 送り足 | UPPER FEED FOOT |
| 38 | 35174 | - | - | * | 1 | 送り足 | UPPER FEED FOOT |
| 39 | 35097 | * | * | * | 1 | 送り足止めねじ | SCREW 3/16X40 L=9 |
| 40 | 35098 | * | * | * | 1 | 送り足止めねじナット | NUT 3/16X40 |
| 41 | 35455 | * | * | * | 1 | 三つ穴土台 | PRESSER BAR LIFTING BRACKET |
| 42 | 6306 | * | * | * | 2 | 三つ穴土台締めねじ | SCREW 3/16X28 |
| 43 | 35143 | * | * | * | 1 | 押え棒メタル(下) | PRESSER BAR BUSHING (LOWER) |
| 44 | 10761 | * | * | * | 1 | 押え棒メタル止めねじ | SCREW 6.75X24 L=11 |
| 45 | 35141 | * | * | - | 1 | 押え足 | INNER PRESSER FOOT |
| 45 | 35173 | - | - | * | 1 | 押え足 | INNER PRESSER FOOT |
| 46 | 10827 | * | * | * | 1 | 押え足止めねじ | SCREW 1/4X40 L=7.5 |
| 47 | 35127 | * | * | * | 1 | 大板ばね土台 | PRESSER BAR SPRING BRACKET |
| 48 | 35128 | * | * | * | 1 | 大板ばね調節ねじ | SCREW 5/16X18UNC L=32 |
| 49 | 35129 | * | * | * | 1 | 大板ばね調節ナット | NUT 5/16X18UNC |
| 50 | 50101 | * | * | * | 2 | 大板ばね土台止めねじ | SCREW 1/4X28 L=13 |