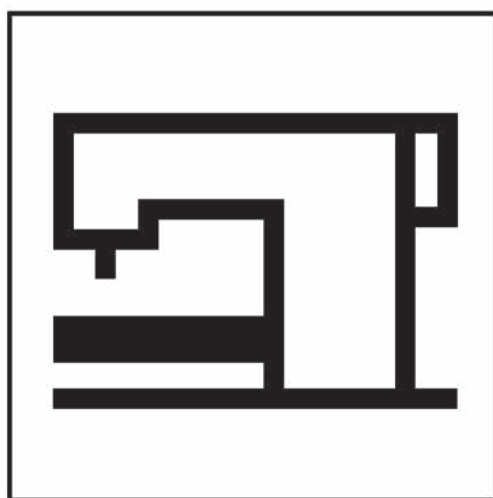


S E I K O

パーツリスト
PARTS LIST

LCWN-28BL

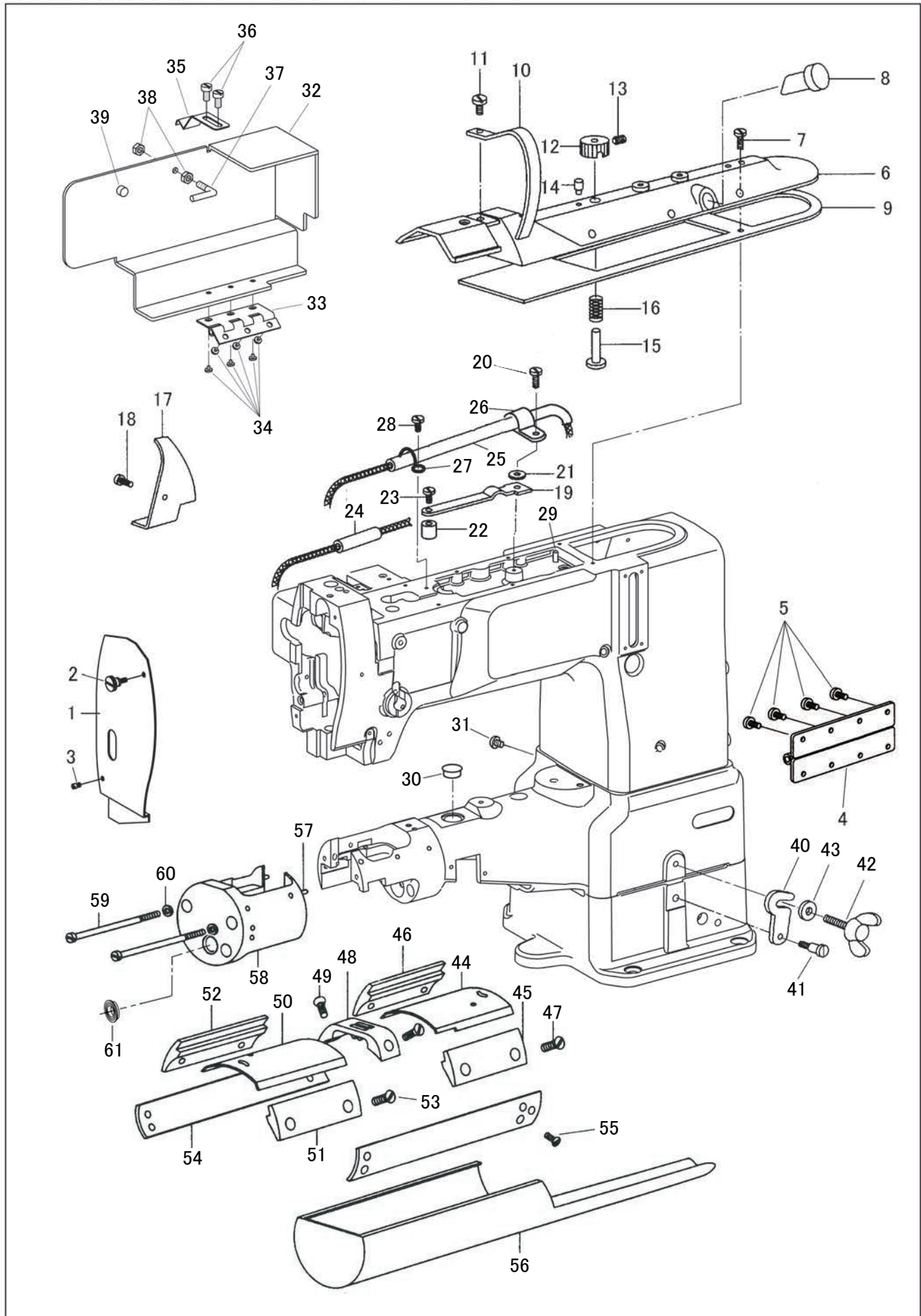


SEIKO SEWING MACHINE CO., LTD.

目次
CONTENTS

| | Page |
|--|--------|
| 面板、上板、横軸カバー ----- FACE PLATE, ARM TOP COVER, ROCK SHAFT COVER | 1, 2 |
| 天秤、上軸 ----- THREAD TAKE-UP LEVER, ARM SHAFT | 3, 4 |
| 弓、押え棒 ----- FOOT LIFTING LEVER, PRESSER BAR | 5, 6 |
| カマ、下軸 ----- HOOK, HOOK DRIVING SHAFT | 7, 8 |
| 送り土台、送り軸 ----- FEED BASE, FEED ROCK SHAFT | 9, 10 |
| 針棒土台、横軸 ----- NEEDLE BAR ROCK FRAME, LIFTING ROCK SHAFT | 11, 12 |
| 糸調子 ----- THREAD TENSION | 13, 14 |
| 膝上げ関係 ----- KNEE LIFTER MECHANISM | 15, 16 |
| ベルトガード ----- BELT GUARD | 17, 18 |
| 付属品 ----- ACCESSORIES | 19, 20 |
| ゲージ部品 ----- GAUGE PARTS | 21 |

面板、上板、横軸カバー
 FACE PLATE, ARM TOP COVER, ROCK SHAFT COVER

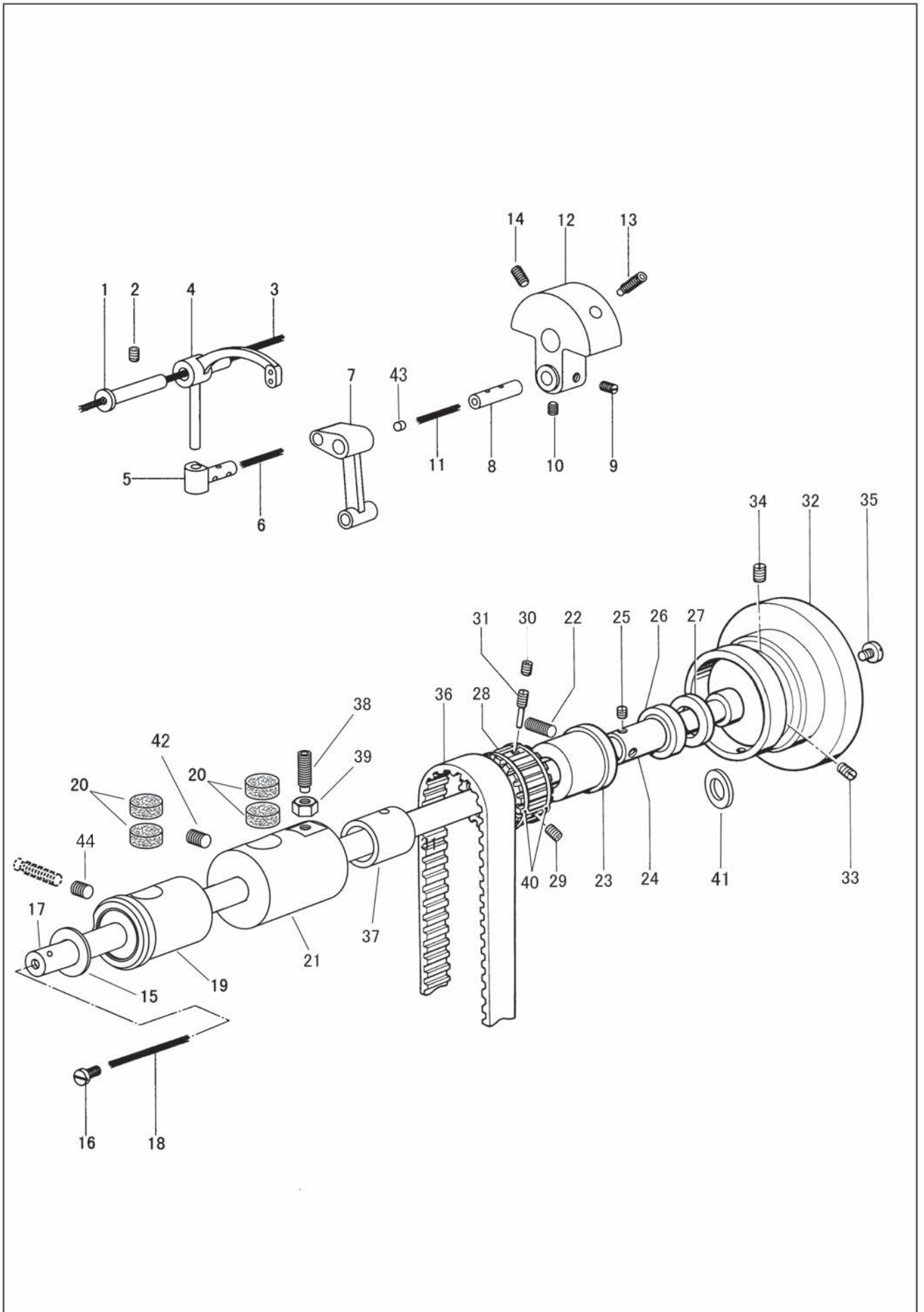


面板、上板、横軸カバー

FACE PLATE, ARM TOP COVER, ROCK SHAFT COVER

| No. | 部品番号 PARTS NO. | 個数 QTY | 品名 | DESCRIPTION |
|-----|-------------------|-----------|----------------|-----------------------------------|
| 1 | 34702 | 1 | 面板 | FACE PLATE |
| 2 | 8093 | 1 | 面板止 | SCREW 9/64X40 |
| 3 | 19098 | 1 | 面板止(下) | SCREW 9/64X40 |
| 4 | 13436 | 1 | 蝶番 | BED HINGE |
| 5 | 13440 | 8 | 蝶番止めねじ | SCREW M6X1 L=12 |
| 6 | 17602 | 1 | 上板 | ARM TOP COVER |
| 7 | 15007 | 7 | ねじ | SCREW 9/64X40 L=10 |
| 8 | 11007 | 1 | 油量覗き窓 | OIL LEVEL INDICATOR |
| 9 | 15004 | 1 | 上板シートパッキン | GASKET |
| 10 | 36708 | 1 | 天秤カバー | THREAD TAKE-UP COVER |
| 11 | 6031-02 | 1 | ねじ | SCREW 11/64X40 L=9 |
| 12 | 15057 | 1 | 給油遮断ダイヤル | OIL REGULATING DIAL |
| 13 | 8009 | 1 | ねじ | SCREW |
| 14 | 15061 | 1 | 給油遮断ピン | OIL REGULATING PIN |
| 15 | 15058 | 1 | 給油遮断軸 | OIL REGULATING STUD |
| 16 | 15059 | 1 | 給油遮断スプリング | OIL REGULATING STUD SPRING |
| 17 | 10551 | 1 | 天秤油受 | THREAD TAKE-UP LEVER OIL GUARD |
| 18 | 3052 | 1 | ねじ | SCREW 9/64X40 L=4.5 |
| 19 | 15086 | 1 | 油調節板ばね | OIL CONTROL SPRING |
| 20 | 15007 | 1 | ねじ | SCREW 9/64X40 L=10 |
| 21 | 11142 | 1 | ワッシャー | WASHER |
| 22 | 11004 | 1 | 油調節おもり | OIL REGULATOR |
| 23 | 10597 | 1 | ねじ | SCREW 1/8X40 L=3.3 |
| 24 | 15034C | 1 | ビニールチューブ・油芯組 | OIL TUBE AND OIL WICK COMPLETE |
| 25 | 13754C | 1 | ビニールチューブ・油芯組 | OIL TUBE AND OIL WICK COMPLETE |
| 26 | 30022 | 1 | クランプ | OIL TUBE CLAMP |
| 27 | 15087 | 1 | ビニールパイプ押え | OIL TUBE RETAINER |
| 28 | 6333 | 1 | ねじ | SCREW 9/64X40 L=6.5 |
| 29 | 13755 | 1 | 上軸中間メタル給油パイプ | OIL PIPE |
| 30 | 13335 | 1 | ホールプラグ | HOLE PLUG |
| 31 | 30046 | 1 | アース線止めねじ | SCREW M4X0.7 L=4 |
| 32 | 48005 | 1 | 横軸カバー | ROCK SHAFT COVER |
| 33 | 15036 | 1 | 蝶番 | HINGE |
| 34 | 6339 | 6 | 蝶番止めねじ | SCREW 1/8X44 L=4 |
| 35 | 20007 | 1 | 横軸カバーバネ | ROCK SHAFT COVER SPRING |
| 36 | 100206 | 2 | 止めねじ | SCREW 1/8X44 L=6 |
| 37 | 48013 | 1 | 固定棒 | COVER FIX STICK |
| 38 | 4137 | 2 | 固定棒ナット | NUT M4 |
| 39 | 15038 | 1 | ストッパーゴム | RUBBER |
| 40 | 13006 | 1 | 鍵 | BED CLAMP |
| 41 | 19403 | 1 | 鍵止めねじ | SCREW 1/4X28 L=5.4 |
| 42 | 13388-A | 1 | 蝶ボルト | SCREW M6X1 L=20 |
| 43 | 13008 | 1 | ワッシャー | WASHER |
| 44 | 13661 | 1 | 差し板(右)(1/4) | SLIDE PLATE (RIGHT), (1/4) |
| 45 | 13672 | 1 | 差し板案内(右前)(1/4) | GUIDE PLATE (RIGHT, FRONT), (1/4) |
| 46 | 13673 | 1 | 差し板案内(右後)(1/4) | GUIDE PLATE (RIGHT, REAR), (1/4) |
| 47 | 13023 | 4 | ねじ | SCREW 3.4X36 L=8 |
| 48 | 13652 | 1 | 針板(1/4) | THROAT PLATE, (1/4) |
| 49 | 13710 | 2 | ねじ | SCREW 11/64X32 L=10 |
| 50 | 13660 | 1 | 差し板(左)(1/4) | SLIDE PLATE (LEFT), (1/4) |
| 51 | 13670 | 1 | 差し板案内(左前)(1/4) | GUIDE PLATE (LEFT, FRONT), (1/4) |
| 52 | 13671 | 1 | 差し板案内(左後)(1/4) | GUIDE PLATE (LEFT, REAR), (1/4) |
| 53 | 13384 | 4 | ねじ | SCREW 9/64X40 L=8 |
| 54 | 13684 | 2 | シリンダー補助板 | CYLINDER SIDE PLATE |
| 55 | 6031-02 | 10 | ねじ | SCREW 11/64X40 L=9 |
| 56 | 13686 | 1 | シリンダーカバー | CYLINDER COVER |
| 57 | 13073 | 2 | 平行ピン | PIN |
| 58 | 13691 | 1 | シリンダー受台 | HOOK SADDLE (LEFT) BASE |
| 59 | 13687 | 2 | ねじ | SCREW 13/64X32 L=72 |
| 60 | 90625 | 2 | ワッシャー | WASHER |
| 61 | 13829 | 1 | 下軸ベアリング | HOOK DRIVING SHAFT BEARING |

天秤、上軸
THREAD TAKE-UP LEVER, ARM SHAFT

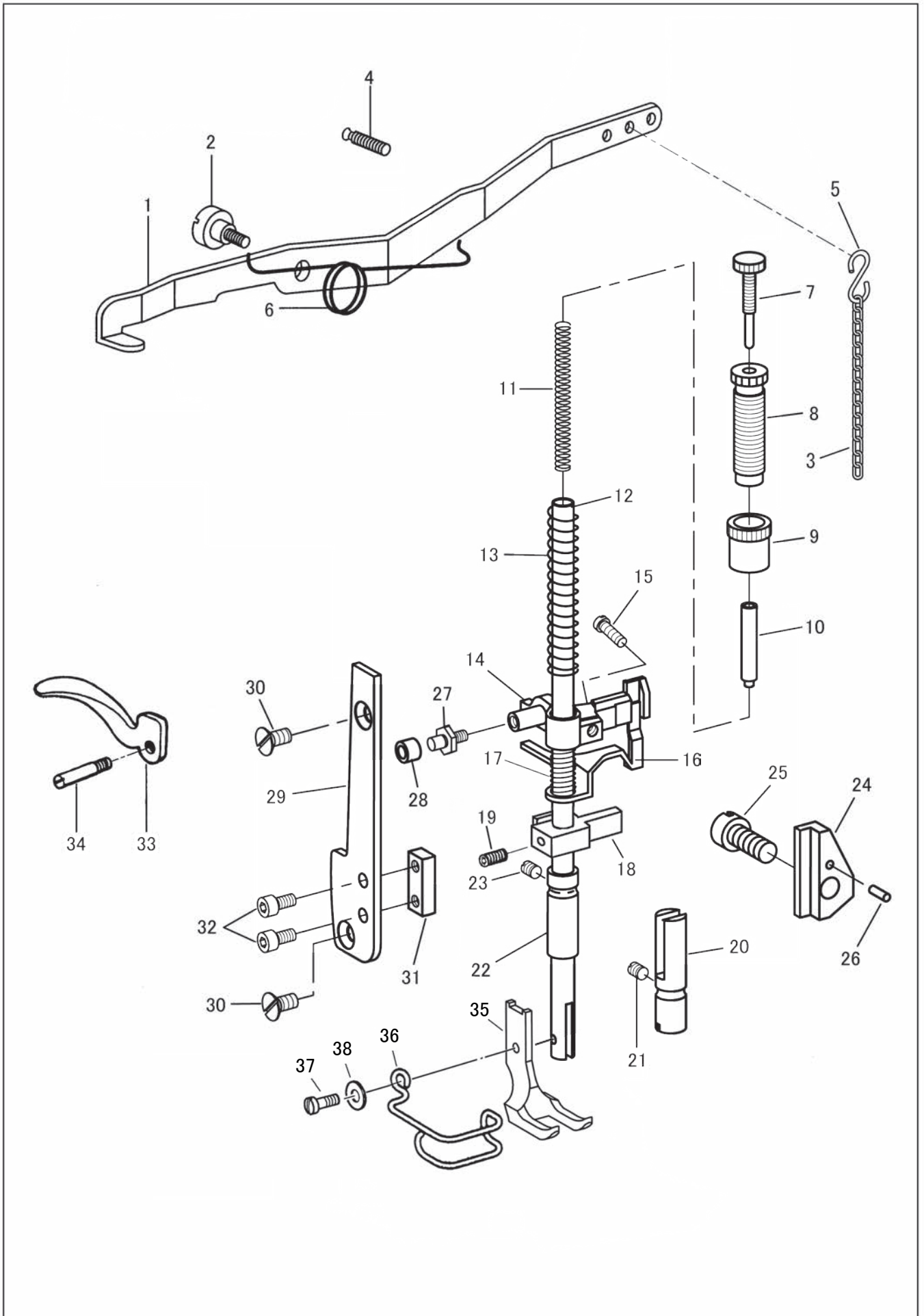


天秤、上軸

THREAD TAKE-UP LEVER, ARM SHAFT

| No. | 部品番号 PARTS NO. | 個数 QTY | 品名 | DESCRIPTION |
|-----|-------------------|-----------|-------------|--|
| 1 | 15013 | 1 | 天秤ピン | THREAD TAKE-UP LEVER HINGE STUD |
| 2 | 17098 | 1 | 止めねじ | SCREW M6X1 L=8 |
| 3 | 11042 | 1 | 天秤ピン油芯 | OIL WICK |
| 4 | 16404 | 1 | 天秤 | THREAD TAKE-UP LEVER |
| 5 | 15026 | 1 | 天秤抱き | THREAD TAKE-UP LEVER DRIVING STUD |
| 6 | 10728 | 1 | 天秤抱き油芯 | OIL WICK |
| 7 | 10528 | 1 | 針棒クランク | NEEDLE BAR CONNECTING LINK |
| 8 | 10523 | 1 | 針棒クランクピン | NEEDLE BAR CONNECTING LINK STUD |
| 9 | 10524 | 1 | 止めねじ | POSITION SCREW 6.75X24 L=6.5 |
| 10 | 70016 | 1 | 止めねじ | SCREW 6.75X24 L=4.5 |
| 11 | 10726 | 1 | 針棒クランクピン油芯 | OIL WICK |
| 12 | 36006 | 1 | クランクモーションカム | NEEDLE BAR CRANK |
| 13 | 10521 | 1 | 位置決めねじ | POSITION SCREW 6.75X24 L=20 |
| 14 | 10522-A | 1 | カム止めねじ | SCREW 6.75X24 L=14 |
| 15 | 10563 | 1 | 上軸前メタルワッシャー | WASHER |
| 16 | 19504 | 1 | 上軸油栓 | SCREW 5/16X28 L=6 |
| 17 | 13568 | 1 | 上軸 | ARM SHAFT |
| 18 | 10724 | 1 | 上軸油芯 | OIL WICK |
| 19 | 70007 | 1 | 上軸前メタル | ARM SHAFT BUSHING (FRONT) |
| 20 | 10725 | 4 | フェルト | OIL FELT |
| 21 | 13387 | 1 | 上軸中間メタル | ARM SHAFT BUSHING (MIDDLE) |
| 22 | 17098 | 1 | 止めねじ | SCREW M6X1 L=8 |
| 23 | 13074 | 1 | 上軸ベアリングケース | ARM SHAFT BALL BEARING ADAPTER |
| 24 | 13361 | 1 | 上軸ベアリングカラー | ARM SHAFT BALL BEARING ADAPTER SLEEVE |
| 25 | 23637 | 2 | ねじ | SCREW 1/4X28 L=7.5 |
| 26 | 10567 | 1 | 上軸ベアリング | ARM SHAFT BALL BEARING |
| 27 | 10568 | 1 | 溝なしリング | BALL BEARING RETAINING RING |
| 28 | 10569 | 1 | 上ベルトプーリー | ARM SHAFT CONNECTING BELT PULLEY (UPPER) |
| 29 | 10571-G | 1 | ねじ | SCREW 6.75X24 L=20 |
| 30 | 10524-G | 1 | ねじ | SCREW 6.75X24 L=6.5 |
| 31 | 10570 | 1 | ねじ | SCREW 6.75X24 L=14.5 |
| 32 | 15162-A | 1 | 大プーリー | MACHINE PULLEY |
| 33 | 10576 | 1 | ねじ | SCREW 15/64X28 L=21 |
| 34 | 10579 | 1 | ねじ | SCREW 15/64X28 L=20 |
| 35 | 19505 | 1 | プーリー押しねじ | SCREW 11/32X28 L=11 |
| 36 | 13749 | 1 | タイミングベルト | ARM SHAFT CONNECTING BELT |
| 37 | 13407 | 1 | 割メタル | SPLIT BUSHING |
| 38 | 19415 | 1 | ねじ | SCREW 1/4X28 L=20 |
| 39 | 16706 | 1 | ナット | NUT 1/4X28 |
| 40 | 10574 | 2 | プーリーリング | BELT PULLEY SPRING FLANGE |
| 41 | 14052 | 1 | ベルトガードワッシャー | WASHER |
| 42 | 17098 | 1 | 止めねじ | SCREW M6X1 L=8.0 |
| 43 | 15038 | 1 | ゴム栓 | RUBBER |
| 44 | 19417 | 1 | 止めねじ | SCREW M6X1 L=6.5 |

弓、押え棒
 FOOT LIFTING LEVER, PRESSER BAR

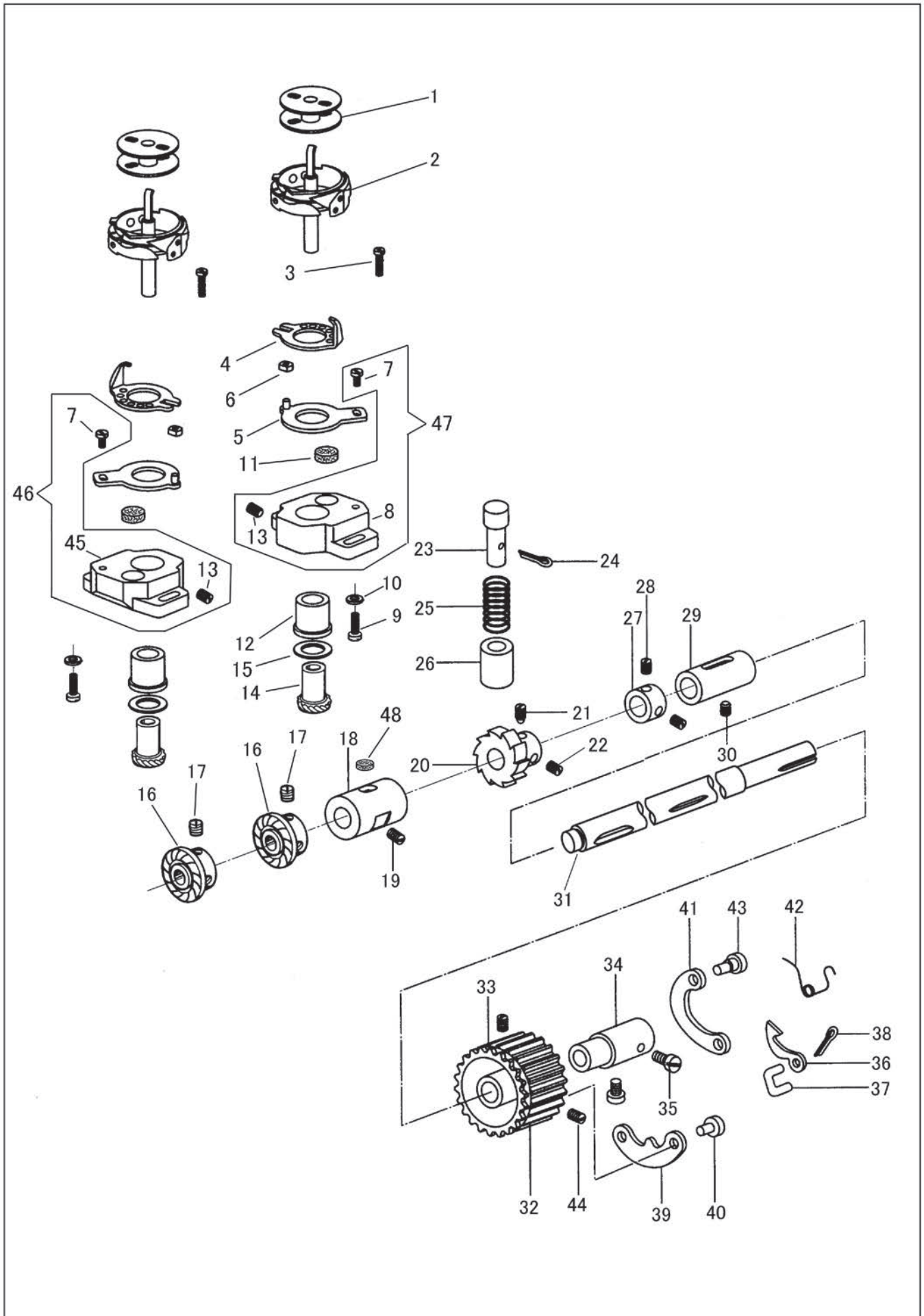


弓、押え棒

FOOT LIFTING LEVER, PRESSER BAR

| No. | 部品番号 PARTS NO. | 個数 QTY | 品名 | DESCRIPTION |
|-----|-------------------|-----------|---------------|------------------------------------|
| 1 | 13056-A | 1 | 弓 | FOOT LIFTING LEVER |
| 2 | 19403 | 1 | 弓止め | SCREW 1/4X28 |
| 3 | 25675-01 | 1 | くさり(235mm) | CHAIN 235MM |
| 4 | 25223 | 1 | ねじ | SCREW 1/4X28 L=29 |
| 5 | 25675-02 | 2 | Sカン | CHAIN WITH HOOK |
| 6 | 13059 | 1 | 弓ばね | SPRING |
| 7 | 17606 | 1 | 押え棒調節ねじ | P/BAR REGULATING SCREW |
| 8 | 17605 | 1 | 押え棒筒ねじ | THUMB SCREW 1/2X28 |
| 9 | 17604 | 1 | 筒ねじナット | NUT 1/2X28 |
| 10 | 17608 | 1 | 押え棒スプリングピン | SPRING PIN |
| 11 | 17607 | 1 | 押え棒スプリング(小) | SPRING |
| 12 | 10540 | 1 | 押え棒 | PRESSER BAR |
| 13 | 18648 | 1 | 押え棒スプリング | PRESSER BAR SPRING |
| 14 | 18479 | 1 | 押え棒抱き | PRESSER BAR LIFTING BRACKET |
| 15 | 19518 | 1 | ねじ | SCREW 11/64X40 L=14 |
| 16 | 10546-A | 1 | 押え棒抱き下板 | TENSION RELEASE SLIDE |
| 17 | 10547 | 1 | 押え棒抱き下板ばね | TENSION RELEASE SPRING |
| 18 | 18478 | 1 | 押え棒案内 | PRESSER BAR POSITION GUIDE BRACKET |
| 19 | 35999 | 1 | ねじ | SCREW M6X1 L=6 |
| 20 | 36729 | 1 | 案内棒 | PRESSER BAR POSITION GUIDE |
| 21 | 28043 | 1 | ねじ | SCREW M6X1 L=11 |
| 22 | 17609 | 1 | 押え棒下メタル | PRESSER BAR BUSHING (LOWER) |
| 23 | 28043 | 1 | ねじ | SCREW M6X1 L=11 |
| 24 | 10548-A | 1 | 押え棒抱き振れ止め台 | LIFTING BRACKET GUIDE BLOCK |
| 25 | 19408 | 1 | ねじ | SCREW 1/4X28 L=17.5 |
| 26 | 15111 | 1 | 平行ピン | PIN |
| 27 | 34828 | 1 | くの字案内ピンねじ | SCREW |
| 28 | 34717 | 1 | くの字案内カラー | BELL CRANK STUD COLLAR |
| 29 | 34719 | 1 | くの字案内板 | B/C STUD GUIDE PLATE |
| 30 | 34720 | 2 | くの字案内板止 | SCREW M6X1 L=12 |
| 31 | 34718 | 1 | くの字案内板駒 | B/C STUD GUIDE BLOCK |
| 32 | 30601 | 2 | くの字案内板駒止 | SCREW M5X0.8 L=10 |
| 33 | 10659 | 1 | 押え上げレバー | PRESSER BAR LIFTER |
| 34 | 10660 | 1 | 押え上げレバーピンねじ | HINGE SCREW 4.5X32 L=7.5 |
| 35 | 10185 | 1 | 外押え(1/4) | LIFTING PRESSER FOOT (1/4) |
| 36 | 10937-01 | 1 | フィンガーガード(1/4) | FINGER GUARD (1/4) |
| 37 | 10749 | 1 | ねじ | SCREW 3.4X36 L=11 |
| 38 | 10677 | 1 | ワッシャー | WASHER |

カマ、下軸
HOOK, HOOK DRIVING SHAFT

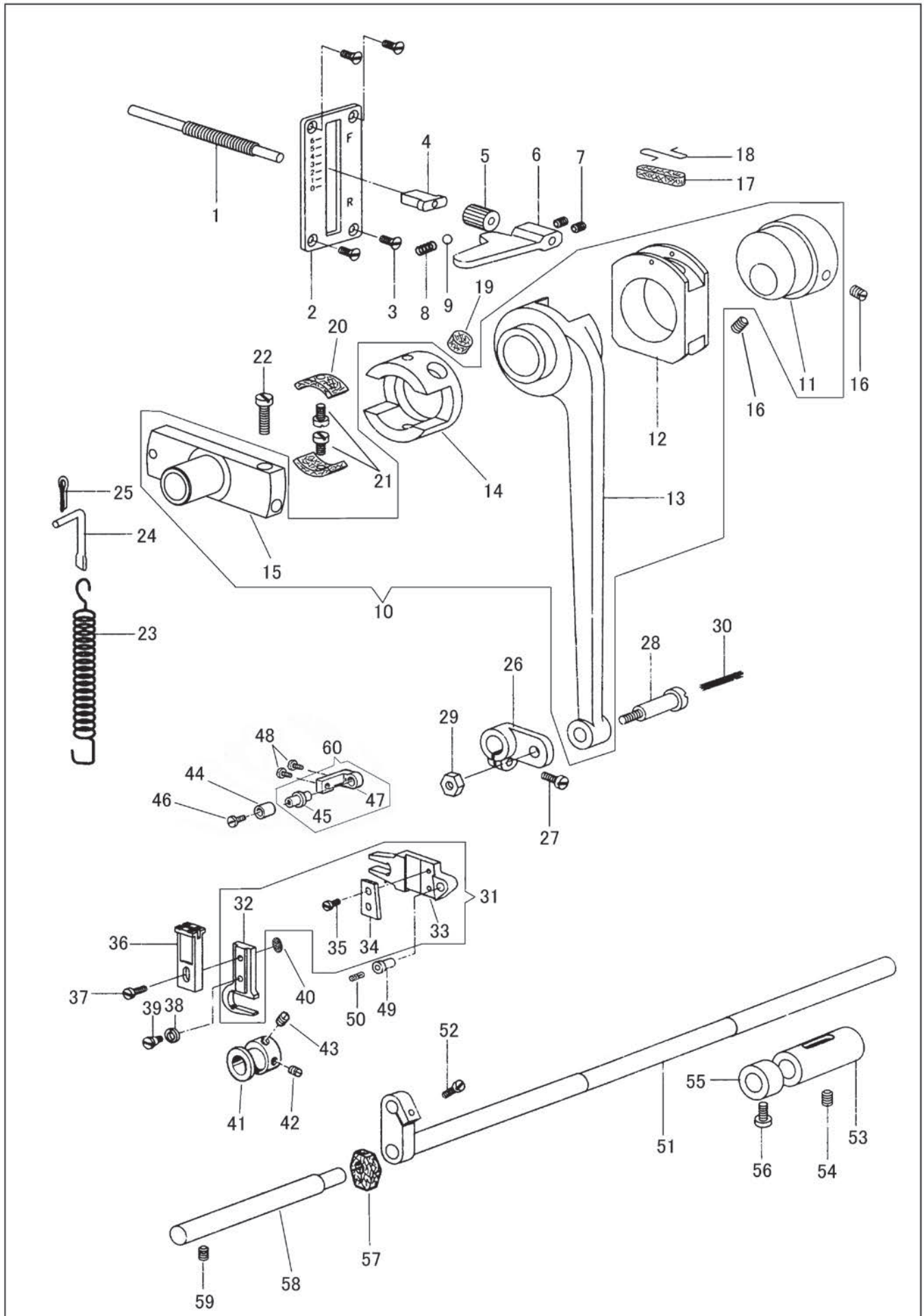


カマ、下軸

HOOK, HOOK DRIVING SHAFT

| No. | 部品番号 PARTS NO. | 個数 QTY | 品名 | DESCRIPTION |
|-----|-------------------|-----------|---------------|-------------------------------------|
| 1 | 15041 | 2 | ボビン | BOBBIN |
| 2 | 13719 | 2 | カマ(組) | HOOK COMPLETE |
| 3 | 12105 | 2 | ねじ | SCREW 3.4X36 L=27 |
| 4 | 13832 | 2 | ボビンケースオープナー | BOBBIN CASE OPENER |
| 5 | 13712 | 2 | オープナー調節板 | LEVER FULCRUM WITH STUD |
| 6 | 13714 | 2 | 小角駒 | SLIDE BLOCK |
| 7 | 8040 | 2 | ねじ | ADJUSTING SCREW 9/64X40 L=8 |
| 8 | 13726 | 1 | カマ土台(右) | HOOK SADDLE (RIGHT) |
| 9 | 13717 | 4 | ねじ | SCREW 13/64X32 L=16.5 |
| 10 | 13037 | 4 | ワッシャー | WASHER |
| 11 | 13715 | 2 | カマ土台フェルト | OIL FELT |
| 12 | 13718 | 2 | カマ土台メタル | HOOK SADDLE BUSHING |
| 13 | 8097 | 2 | ねじ | SCREW 15/64X28 L=5 |
| 14 | 13734 | 2 | かさ歯車(小) | HOOK BEVEL GEAR |
| 15 | 13735-A | 2 | ワッシャー | WASHER |
| 16 | 13733 | 2 | かさ歯車(大) | HOOK DRIVING BEVEL GEAR |
| 17 | 17019A | 6 | ねじ | SCREW 1/4X40 L=7.5 |
| 18 | 13746 | 1 | 下軸前メタル | HOOK DRIVING SHAFT (FRONT) |
| 19 | 17098 | 1 | ねじ | SCREW M6X1 L=8 |
| 20 | 13362 | 1 | つめ車 | STOP WHEEL |
| 21 | 23634 | 1 | ねじ | SCREW 1/4X28 L=6 |
| 22 | 23637 | 1 | ねじ | SCREW 1/4X28 L=7.5 |
| 23 | 13747 | 1 | 押しボタン | LOCK STUD |
| 24 | 15076 | 1 | 割ピン | SPLIT PIN |
| 25 | 13047 | 1 | 押しボタンスプリング | SPRING |
| 26 | 13748 | 1 | 押しボタン土台 | LOCK STUD SOCKET |
| 27 | 20254 | 1 | 下軸カラー | HOOK DRIVING SHAFT COLLAR |
| 28 | 13085 | 2 | ねじ | SCREW 13/64X32 L=4.3 |
| 29 | 13029 | 1 | 下軸後メタル | HOOK DRIVING SHAFT (REAR) |
| 30 | 17098 | 1 | ねじ | SCREW M6X1 L=8 |
| 31 | 13682 | 1 | 下軸 | HOOK DRIVING SHAFT |
| 32 | 13424-01 | 1 | 下ベルトプーリー | ARM SHAFT CONNECTING PULLEY (LOWER) |
| 33 | 10574 | 1 | プーリーリング | BELT PULLEY SPRING FLANGE |
| 34 | 10611 | 1 | 下ベルトプーリー芯棒 | SAFETY CLUTCH COLLAR |
| 35 | 10612 | 2 | ねじ | SCREW 1/4X32 L=10.5 |
| 36 | 10617 | 1 | 下ベルトプーリー小爪 | STOP PLATE |
| 37 | 25626 | 1 | 下ベルトプーリー小連結 | RATCHET CONNECTION LINK |
| 38 | 10620 | 1 | 下ベルトプーリー割ピン | SPLIT PIN |
| 39 | 10616 | 1 | 下ベルトプーリー掛金 | STOP PLATE |
| 40 | 10613 | 1 | 下ベルトプーリー掛金ピン | LEVER HINGE STUD |
| 41 | 10615 | 1 | 下ベルトプーリー板ばね | SPRING PLATE |
| 42 | 10619 | 1 | 下ベルトプーリースプリング | SPRING |
| 43 | 10614 | 1 | ヒンジピン | HINGE PIN |
| 44 | 10581 | 2 | ねじ | SCREW 7/32X32 L=7 |
| 45 | 13640 | 1 | カマ土台(左) | HOOK SADDLE (LEFT) |
| 46 | 13640C | 1 | カマ土台(左)・ねじ付き | HOOK SADDLE (LEFT) WITH SCREWS |
| 47 | 13726C | 1 | カマ土台(右)・ねじ付き | HOOK SADDLE (RIGHT) WITH SCREWS |
| 48 | 11069 | 1 | フェルト | OIL FELT |

送り土台、送り軸
 FEED BASE, FEED ROCK SHAFT



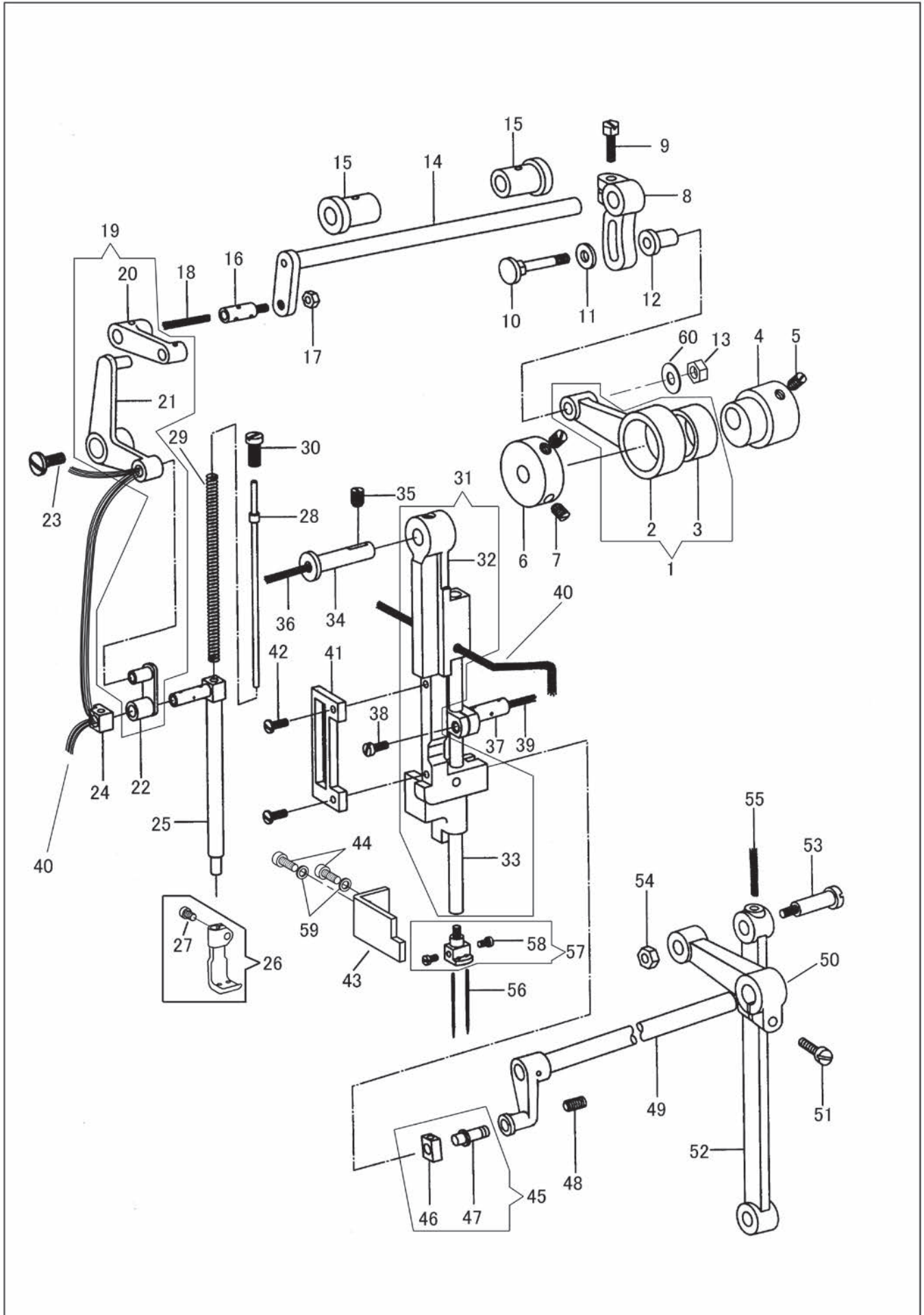
送り土台、送り軸

FEED BASE, FEED ROCK SHAFT

| No. | 部品番号 PARTS NO. | 個数 QTY | 品名 | DESCRIPTION |
|-----|-------------------|-----------|-------------|-----------------------------------|
| 1 | 17061 | 1 | レバーピンねじ | FEED REVERSE LEVER SHAFT |
| 2 | 13730 | 1 | 送り調節板 | STITCH LENGTH DIAL |
| 3 | 7041 | 4 | ねじ | SCREW 1/8X44 L=7 |
| 4 | 13417 | 1 | 送り調節パイプ | FEED ADJUSTING PIPE |
| 5 | 13416 | 1 | 送り調節ローレット | KNURLING TOOL |
| 6 | 18027 | 1 | 送り調節レバー | REVERSE FEED LEVER |
| 7 | 18028 | 2 | ねじ | SCREW M5X0.8 L=5 |
| 8 | 8157 | 1 | レバースプリング | SPRING |
| 9 | 8158 | 1 | レバーボール | BALL |
| 10 | 13727C | 1 | 送りロッド(組) | FEED ROD COMPLETE |
| 11 | 13402 | 1 | 送りカム | FEED ECCENTRIC |
| 12 | 13410 | 1 | 送りロッドリンク | FEED ROD DRIVING SLIDE BLOCK |
| 13 | 13728 | 1 | 送りロッド | FEED ROD |
| 14 | 13411 | 1 | 送りロッド案内 | FEED ROD GUIDE BLOCK |
| 15 | 13413 | 1 | 送りロッド案内レール | FEED REGULATOR |
| 16 | 19508 | 2 | ねじ | SCREW 1/4X40 L=5.5 |
| 17 | 10722 | 1 | フェルト | OIL FELT |
| 18 | 10723 | 1 | フェルト押さえ | HOLD-DOWN SPRING |
| 19 | 11069 | 1 | フェルト | OIL FELT |
| 20 | 13412 | 2 | フェルト | OIL FELT |
| 21 | 8044 | 2 | ねじ | SCREW 1/8X44 L=6 |
| 22 | 27177 | 1 | ねじ | SCREW M5X0.8 L=16 |
| 23 | 10806 | 1 | バックレバースプリング | FEED REVERSE LEVER SPRING |
| 24 | 13419 | 1 | レバースプリング掛 | SPRING HOOK |
| 25 | 15076 | 1 | 割ピン | SPLIT PIN |
| 26 | 13395 | 1 | 送り軸だるま | FEED ROCK BELL CRANK |
| 27 | 13078 | 1 | ねじ | SCREW 7/32X32 L=13 |
| 28 | 13396 | 1 | 大段ねじ | SCREW M8X1.25 |
| 29 | 13397 | 1 | 大段ねじナット | NUT M8X1.25 |
| 30 | 10726 | 1 | 大段ねじ油芯 | OIL WICK |
| 31 | 13721C | 1 | 送り土台案内(組) | FEED BASE GUIDE COMPLETE |
| 32 | 13722 | 1 | 送り土台 | FEED BASE |
| 33 | 13721 | 1 | 送り土台案内 | FEED BASE GUIDE |
| 34 | 13723 | 1 | 送り土台すべり板 | FEED BASE ADJUSTING PLATE |
| 35 | 10650 | 2 | ねじ | SCREW 3.4X36 L=6 |
| 36 | 13653 | 1 | 送り歯(1/4) | FEED DOG (1/4) |
| 37 | 10561 | 1 | ねじ | SCREW 11/64X32 L=6.5 |
| 38 | 13751 | 1 | 送り歯ストッパーリング | STOPPER RING |
| 39 | 100724 | 1 | ねじ | SCREW 11/64X40 L=6 |
| 40 | 13136 | 1 | フェルト | OIL FELT |
| 41 | 13725 | 1 | 送り上下カム | FEED LIFTING CAM |
| 42 | 13031 | 1 | ねじ | SCREW 13/64X32 L=4.7 |
| 43 | 13085 | 1 | ねじ | SCREW 13/64X32 L=4.3 |
| 44 | 13742 | 1 | 送り土台案内丸玉 | GUIDE ROLLER |
| 45 | 13741 | 1 | 丸玉ピン | GUIDE ROLLER PIN |
| 46 | 13743 | 1 | ねじ | SCREW 9/64X40 L=5 |
| 47 | 13739 | 1 | 丸玉ピン受金 | GUIDE ROLLER PIN BRACKET |
| 48 | 13740 | 2 | ねじ | SCREW 9/64X40 L=7 |
| 49 | 13724 | 1 | 送り土台案内ピン | HINGE PIN |
| 50 | 0148-H | 1 | フェルト | OIL FELT |
| 51 | 13736-A | 1 | 送り軸 | FEED ROCK SHAFT |
| 52 | 13365 | 1 | ねじ | SCREW M4X0.7 L=9 |
| 53 | 13029 | 1 | 送り軸メタル | FEED ROCK SHAFT BUSHING |
| 54 | 17098 | 1 | ねじ | SCREW M6X1 L=8 |
| 55 | 20254 | 1 | 送り軸カラー | FEED ROCK SHAFT COLLAR |
| 56 | 13033 | 1 | ねじ | SCREW 13/64X32 L=5 |
| 57 | 13080 | 1 | フェルト | OIL FELT |
| 58 | 13683 | 1 | 送り軸軸受 | FEED SHAFT SUPPORT |
| 59 | 38136 | 1 | ねじ | SCREW M4X0.7 L=4 |
| 60 | 13739C | 1 | 丸玉ピン受金(組) | GUIDE ROLLER PIN BRACKET COMPLETE |

針棒土台、橫軸

NEEDLE BAR ROCK FRAME, LIFTING ROCK SHAFT

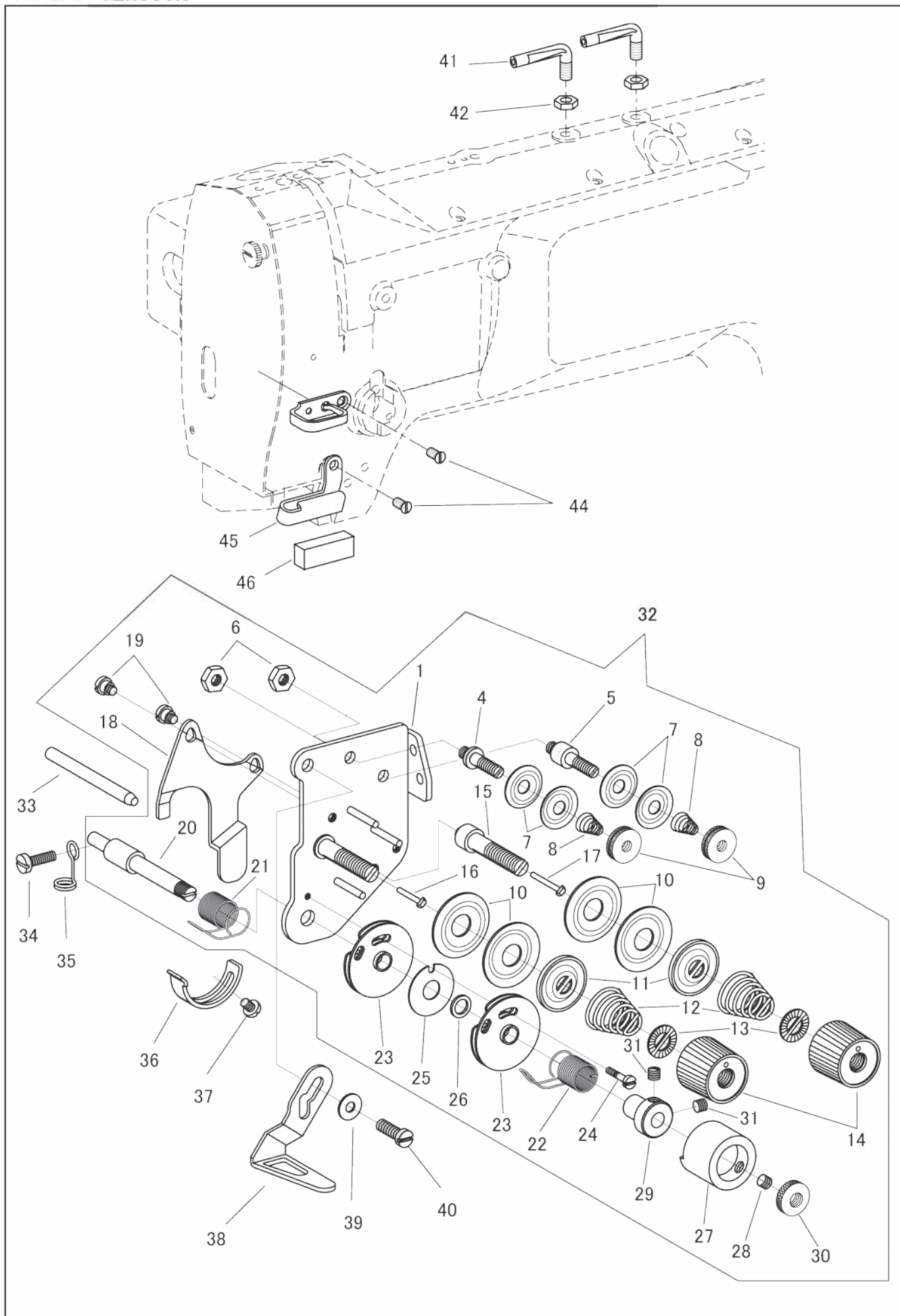


針棒土台、横軸

NEEDLE BAR ROCK FRAME, LIFTING ROCK SHAFT

| No. | 部品番号 PARTS NO. | 個数 QTY | 品名 | DESCRIPTION |
|-----|-------------------|-----------|---------------|---|
| 1 | 10772C | 1 | 上連結ロッド(組) | LIFTING ECCENTRIC CONNECTION COMPLETE |
| 2 | 10772 | 1 | 上連結ロッド | LIFTING ECCENTRIC CONNECTION |
| 3 | 10773 | 1 | ニードルベアリング | NEEDLE BEARING |
| 4 | 17100 | 1 | 中押え上下カム | LIFTING ECCENTRIC |
| 5 | 10566 | 2 | ねじ | SCREW 1/4X32 L=5.5 |
| 6 | 11879 | 1 | 中押え上下カムカラー | LIFTING ECCENTRIC COLLAR |
| 7 | 10573 | 2 | ねじ | SCREW 7/32X32 L=11 |
| 8 | 19419 | 1 | 上下カム連結だるま | LIFTING ECCENTRIC CONNECTING CRANK |
| 9 | 19420 | 1 | ねじ | SCREW 1/4X28 L=16 |
| 10 | 10775 | 1 | 上連結ロッド段ねじ | SCREW 7/32X32 L=22 |
| 11 | 10703 | 1 | ワッシャー | WASHER |
| 12 | 10774 | 1 | 上連結ロッドパイプ | LIFTING ECCENTRIC CONNECTION COLLAR |
| 13 | 10776 | 1 | 上連結ロッド蝶ナット | WING NUT |
| 14 | 19425 | 1 | 横軸 | LIFTING ROCK SHAFT |
| 15 | 10514 | 2 | 横軸メタル | LIFTING ROCK SHAFT BUSHING |
| 16 | 16709 | 1 | 横軸ピンねじ | SCREW 1/4X28 L=9.5 |
| 17 | 19516 | 1 | 横軸ピンねじナット | NUT 1/4X28 |
| 18 | 10728 | 1 | 油芯 | OIL WICK |
| 19 | 10558C | 1 | くの字セット | LIFTING BELL CRANK COMPLETE |
| 20 | 10557 | 1 | くの字連結(大) | LIFTING BELL CRANK LINK |
| 21 | 10558 | 1 | くの字 | LIFTING BELL CRANK |
| 22 | 10556 | 1 | くの字連結(小) | VIBRATING PRESSER BAR CONNECTING LINK |
| 23 | 18480 | 1 | ねじ | SCREW 11/64X40 L=8 |
| 24 | 15118 | 1 | 振れ止め角駒 | VIBRATING PRESSER BAR SLIDE BLOCK |
| 25 | 17610 | 1 | 中押え棒 | VIBRATING PRESSER BAR |
| 26 | 10285C | 1 | 中押え(ねじ付)(1/4) | VIBRATING PRESSER FOOT WITH SCREW (1/4) |
| 27 | 10662 | 1 | ねじ | SCREW 5/32X40 L=6.5 |
| 28 | 10553-A | 1 | 中押えスプリング棒 | VIBRATING PRESSER BAR EXTENSION |
| 29 | 10554 | 1 | 中押えスプリング | VIBRATING PRESSER BAR EXTENSION SPRING |
| 30 | 15060 | 1 | 押しねじ | SCREW 5/16X24 L=16 |
| 31 | 15547C-A | 1 | 針棒土台(組) | NEEDLE BAR ROCK FRAME COMPLETE |
| 32 | 15547-A | 1 | 針棒土台 | NEEDLE BAR ROCK FRAME |
| 33 | 10955 | 1 | 針棒 | NEEDLE BAR |
| 34 | 11875 | 1 | 針棒土台ピン | PIN |
| 35 | 10525 | 1 | ねじ | SCREW 6.75X24 L=9 |
| 36 | 10726 | 1 | 油芯 | OIL WICK |
| 37 | 10904 | 1 | 針棒抱き | NEEDLE BAR CONNECTING STUD |
| 38 | 10532 | 1 | ねじ | SCREW 5/32X40 L=9 |
| 39 | 10726 | 1 | 油芯 | OIL WICK |
| 40 | 15031 | 1 | 油芯 | OIL WICK |
| 41 | 15117 | 1 | 振れ止め板 | SLIDE BLOCK PLATE |
| 42 | 8100 | 2 | ねじ | SCREW 9/64X40 L=6.5 |
| 43 | 10560 | 1 | イケール | NEEDLE BAR ROCK FRAME POSITION BRACKET |
| 44 | 10561 | 1 | ねじ | SCREW 11/64X32 L=6.5 |
| 45 | 11876C | 1 | 上送り竿ピンねじ(角玉付) | SLIDE BLOCK COMPLETE |
| 46 | 11877 | 1 | 上送り竿角玉 | SLIDE BLOCK |
| 47 | 11876 | 1 | 上送り竿ピンねじ | SLIDE BLOCK STUD |
| 48 | 10581 | 1 | ねじ | SCREW 7/32X32 L=7 |
| 49 | 10578 | 1 | 上送り竿 | NEEDLE BAR ROCK FRAME ROCK SHAFT |
| 50 | 13737 | 1 | 連結 | ROCK SHAFT CRANK |
| 51 | 19408 | 1 | ねじ | SCREW 1/4X28 L=17.5 |
| 52 | 13731 | 1 | 連結ロッド | ROCK SHAFT CRANK CONNECTION |
| 53 | 13363 | 1 | 小段ねじ | SCREW 1/4X28 L=12 |
| 54 | 16706 | 1 | 小段ねじナット | NUT 1/4X28 |
| 55 | 10728 | 1 | 油芯 | OIL WICK |
| 56 | N0122 | 2 | 針 DPX17 #22 | NEEDLE DPX17 #22 |
| 57 | 25670-04 | 1 | 針株(ねじ付)(1/4) | NEEDLE CLAMP WITH SCREW (1/4) |
| 58 | B140553 | 2 | ねじ | SCREW 1/8X40 L=4.5 |

糸調子
 THREAD TENSION

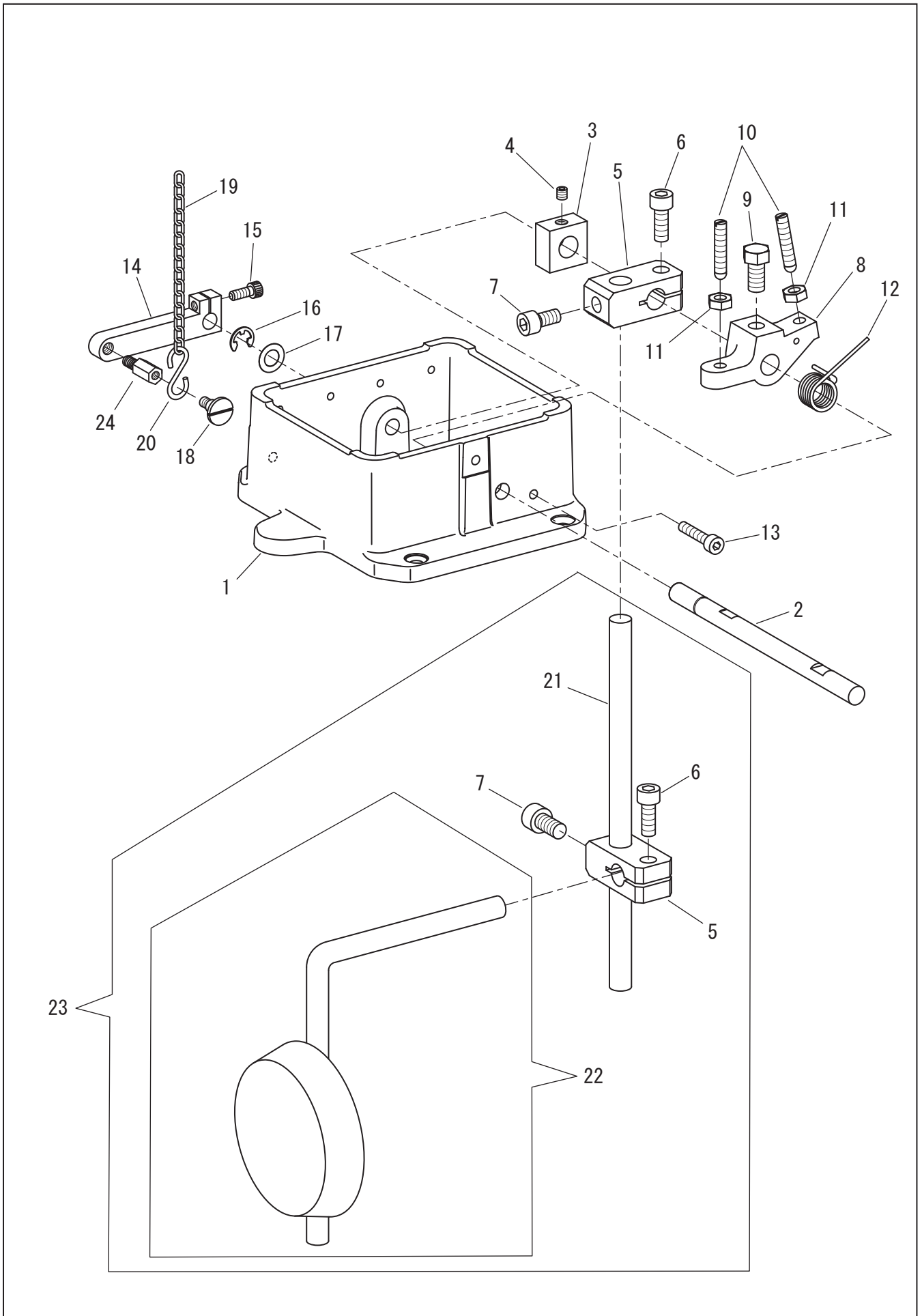


糸調子

THREAD TENSION

| No. | 部品番号 PARTS NO. | 個数 QTY | 品名 | DESCRIPTION |
|-----|-------------------|-----------|------------------|--|
| 1 | 40431 | 1 | 調子板 | TENSION BRACKET |
| 4 | 30011 | 1 | 第一調子棒(A) | TENSION STUD (FIRST, A) |
| 5 | 31012 | 1 | 第一調子棒(B) | TENSION STUD (FIRST, B) |
| 6 | 10652 | 2 | 第一調子棒ナット | TENSION STUD (FIRST) NUT |
| 7 | 20224 | 4 | 第一調子皿 | TENSION DISC (FIRST) |
| 8 | 20226-01 | 2 | 渦巻スプリング | TENSION SPRING |
| 9 | 20225 | 2 | 第一調子ローレット | TENSION THUMB NUT (FIRST) |
| 10 | B145446 | 4 | 糸調子皿 | TENSION DISC |
| 11 | B159805 | 2 | 糸調子皿押え | TENSION DISC PRESSER |
| 12 | BS0749C | 2 | 渦巻スプリング | TENSION SPRING |
| 13 | 28206 | 2 | ローレットストッパー | REGULATING THUMB NUT WASHER |
| 14 | B149566 | 2 | ローレットナット | REGULATING THUMB NUT |
| 15 | 40451 | 1 | 糸調子棒 | TENSION STUD |
| 16 | 10793 | 1 | 糸ゆるめ 段ピン (短) | TENSION RELEASING PIN (SHORT) |
| 17 | 40452-01 | 1 | 糸ゆるめ 段ピン (長) | TENSION RELEASING PIN (LONG) |
| 18 | 40434 | 1 | 糸ゆるめ 板 | TENSION RELEASING PLATE |
| 19 | 19422 | 2 | 糸ゆるめ 板段ねじ | HINGE SCREW 9/64X40 |
| 20 | 40463 | 1 | 糸引スプリング 軸 | THREAD CONTROLLER STUD |
| 21 | 10689 | 1 | 糸引スプリング | THREAD CONTROLLER SPRING |
| 22 | 16411 | 1 | 糸引スプリング (前) | THREAD CONTROLLER SPRING (FRONT) |
| 23 | 10694 | 2 | 二重皿 | THREAD CONTROLLER DISC |
| 24 | 40462 | 1 | 二重皿止めねじ | SCREW 3/32X56 L=13.2 |
| 25 | 16413 | 1 | 二重皿ワッシャー< 大) | WASHER (LARGE) |
| 26 | 16414 | 1 | 二重皿ワッシャー< 小) | WASHER (SMALL) |
| 27 | 16419 | 1 | スプリングカバー | THREAD CONTROLLER SPRING (FRONT) COVER |
| 28 | 8103 | 1 | スプリングカバー 止めねじ | SCREW 11/64X40 L=3.5 |
| 29 | 16418 | 1 | スプリング 調節カラー | THREAD CONTROLLER STUD COLLAR |
| 30 | 19534 | 1 | ローレットナット | THUMB NUT 7/32X32 |
| 31 | 8103 | 2 | スプリング 調節カラー 止めねじ | SCREW 11/64X40 L=3.5 |
| 32 | 40452C | 1 | 調子板(組) | TENSION BRACKET COMP. |
| 33 | 10720 | 1 | 糸ゆるめピン | THREAD RELEASE PLATE ROD |
| 34 | 15007 | 1 | ねじ | SCREW 9/64X40 L=10 |
| 35 | 4221 | 1 | 油芯押え | OIL WICK RETAINER |
| 36 | 10690 | 1 | スプリング受 | THREAD CONTROLLER SPRING STOP |
| 37 | 8100 | 1 | ねじ | SCREW 9/64X40 L=6.5 |
| 38 | 34042-TA | 1 | 糸調子糸掛 | THREAD GUIDE |
| 39 | 11142 | 1 | ワッシャー | WASHER |
| 40 | 10545 | 1 | ねじ | SCREW 11/64X32 L=14.0 |
| 41 | 11006 | 2 | 上板糸掛 | ARM TOP COVER THREAD GUIDE |
| 42 | 13076-02 | 2 | ナット | NUT 7/32X32 |
| 43 | 10682 | 1 | 面糸掛(上) | THREAD GUIDE (UPPER) |
| 44 | 19510 | 2 | ねじ | SCREW 9/64X40 L=6.5 |
| 45 | 10759-A | 1 | 面糸掛(下) | THREAD GUIDE (LOWER) |
| 46 | 10760 | 1 | 面糸掛フェルト | OIL FELT |

膝上げ関係
KNEE LIFTER MECANISM

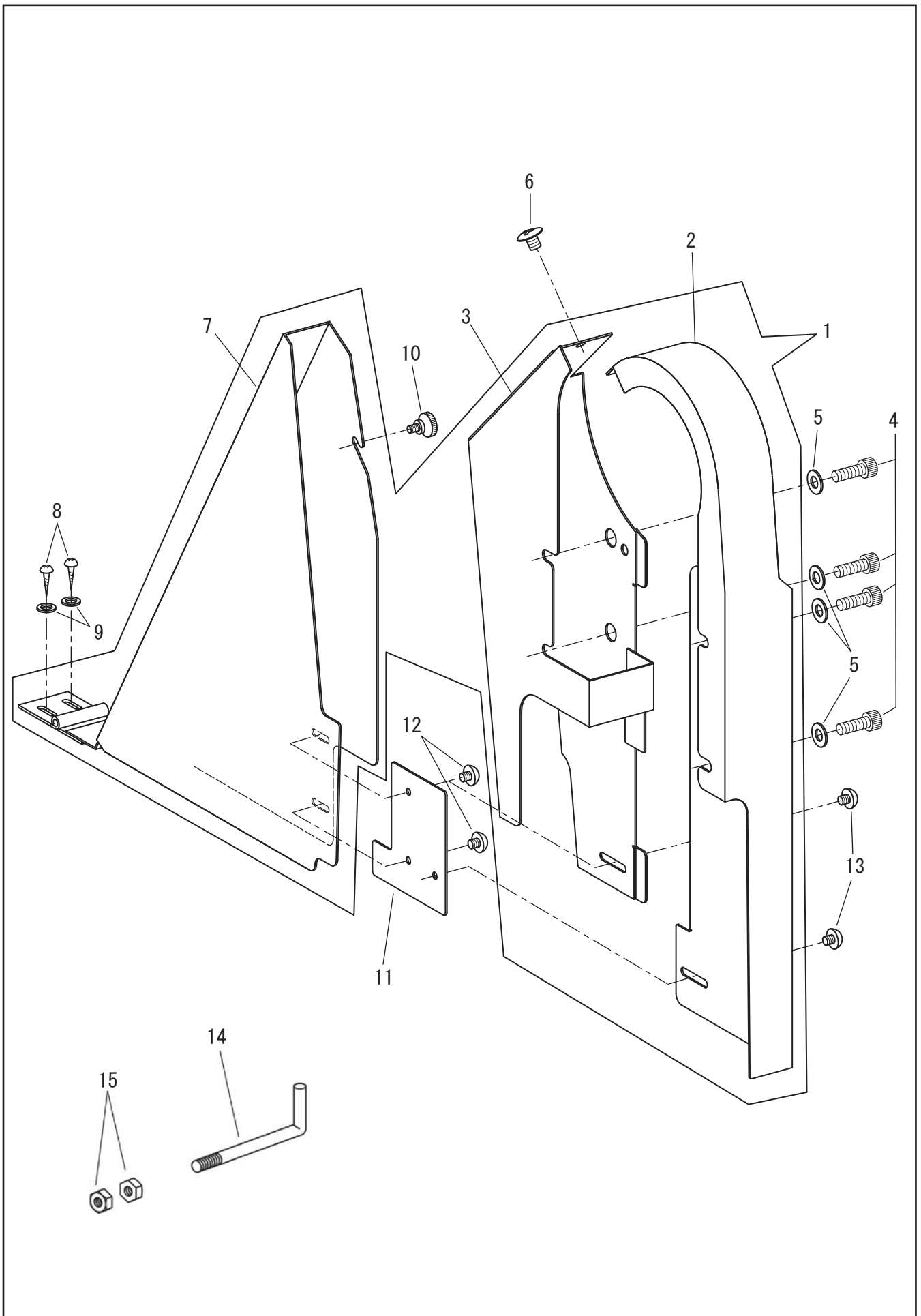


膝上げ関係

KNEELIFTER MECANISM

| No. | 部品番号 PARTS NO. | 個数 QTY | 品名 | DESCRIPTION |
|-----|-------------------|-----------|--------------|---------------------------------|
| 1 | 48002 | 1 | ベース | MACHINE BASE |
| 2 | 48007 | 1 | 膝上げ軸 | KNEE LIFTER ROCK SHAFT |
| 3 | 40975 | 1 | 膝上げ軸カラー | KNEE LIFTER ROCK SHAFT COLLAR |
| 4 | 17098 | 1 | 膝上げ軸カラー止 | SCREW M6X1 L=8 |
| 5 | 48016 | 2 | 膝上げだるま | KNEE LIFTER ROCK SHAFT HUB |
| 6 | 27181 | 2 | 膝上げだるま止めねじ | SCREW M8X1.25 L=20 |
| 7 | 27180 | 2 | 膝上げ縦軸止めねじ | SCREW M8X1.25 L=16 |
| 8 | 36425-A | 1 | 膝上げテコ | K/L/R/SHAFT LIFTING ARM |
| 9 | 37313 | 1 | 膝上げテコ止め | SCREW SM5/16X18 L=16 |
| 10 | 1773 | 2 | 膝上げテコ調節ねじ | SCREW SM15/64X28 L=30 |
| 11 | 101520 | 2 | 膝上げテコ調節ねじナット | NUT SM15/64X28 |
| 12 | 34800 | 1 | 膝上げスプリング | SPRING |
| 13 | 28068 | 1 | スプリングストッパー止 | SCREW M5X0.8 L=20 |
| 14 | 40971 | 1 | 膝上げ腕 | KNEE LIFTER ROCK ARM |
| 15 | 31021 | 1 | 膝上げ腕締ねじ | SCREW M6X1 L=16 |
| 16 | 34802 | 1 | 膝上げ軸止め輪 | REETAINING RING |
| 17 | 36428 | 1 | 止め輪ワッシャー | WASHER T=0.3 |
| 18 | 6384 | 1 | フック掛け段ねじ | HINGE SCREW |
| 19 | 25675-01 | 1 | くさり (235mm) | CHAIN (235MM) |
| 20 | 25675-02 | 1 | Sカン | WITH FOOK |
| 21 | 48009 | 1 | 膝上げ軸 (A) | KNEE LIFTER ROCK SHAFT(A) |
| 22 | 24098C | 1 | 膝上げ縦軸 (組) | KNEE LIFTER ROCK LEVER COMPLETE |
| 23 | 48009C | 1 | 膝当てセット (5点組) | KNEE LIFTER KNEE PLATE COMPLETE |
| 24 | 40977 | 1 | フック掛けねじ | SCREW |

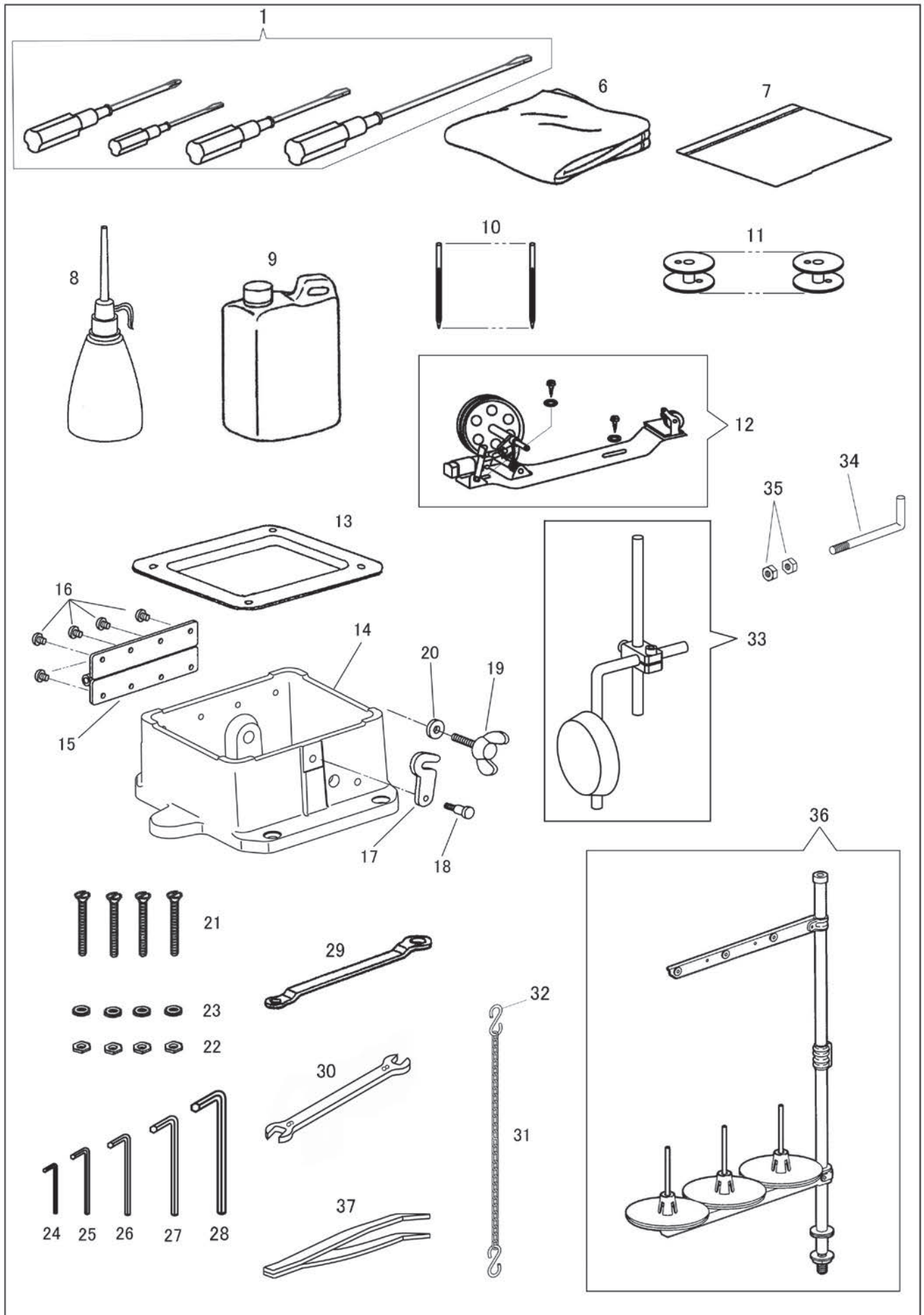
ベルトガード
BELT GUARD



ベルトガード
BELT GUARD

| No. | 部品番号 PARTS NO. | 個数 QTY | 品名 | DESCRIPTION |
|-----|-------------------|-----------|----------------|---|
| 1 | 48020 | 1 | ベルトガード(3点組) | BELT GUARD COMPLETE |
| 2 | 48020-01 | 1 | ベルトガードA | BELT GUARD A |
| 3 | 48020-02 | 1 | ベルトガードB | BELT GUARD B |
| 4 | 28138 | 4 | ベルトガード本体止 | SCREW M6X1 L=10 |
| 5 | 10599 | 4 | ベルトガード本体止ワッシャー | WASHER |
| 6 | 37288 | 1 | ベルトガード止 | SCREW M4X0.7 L=5 |
| 7 | 13760-02 | 1 | ベルトガード(後) | BELT GUARD (REAR) |
| 8 | 15081 | 2 | ベルトガード(後)木ねじ | WOOD SCREW |
| 9 | 11142 | 2 | ベルトガード(後)ワッシャー | WASHER |
| 10 | 11830 | 1 | ツマミねじ | THUMB SCREW |
| 11 | 13760-03 | 1 | ベルトガード補助板 | BELT GUARD REAR COVER |
| 12 | 30046 | 2 | 補助板止 | SCREW M4X0.7 L=4 |
| 13 | 30046 | 2 | 補助板止(小形テーブル用) | SCREW M4X0.7 L=4 (FOR SMALL TABLE) |
| 14 | 17529 | 1 | 検出器支え棒(付属品) | SYNCHRONIZER SUPPORT ROD FOR MACHINE WITH BELT GUARD (ACCESSORIES) |
| 15 | 37102 | 2 | 検出器支え棒ナット(付属品) | NUT M6X1 (ACCESSORIES) |

付属品
ACCESSORIES





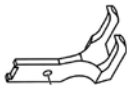



付属品



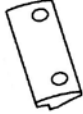
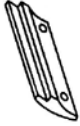
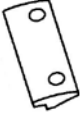
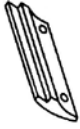
ACCESSORIES

| No. | 部品番号 PARTS NO. | 個数 QTY | 品名 | DESCRIPTION |
|-----|-------------------|-----------|--------------|--------------------------|
| 1 | 25649C | 1 | ドライバー4点組 | SCREW DRIVER COMPLETE |
| 6 | 8124 | 1 | ビニールカバー(大) | MACHINE COVER (LARGE) |
| 7 | 8132-A | 1 | 部品袋 | ACCESSORIES PACK |
| 8 | 8125 | 1 | 油差し | OILER |
| 9 | 11193 | 1 | 油 | OIL |
| 10 | N0122 | 6 | 針 DPX17 #22 | NEEDLE DPX17 #22 |
| 11 | 15041 | 12 | ボビン | BOBBIN |
| 12 | 15101 | 1 | 糸巻きセット | BOBBIN WINDER COMPLETE |
| 13 | 17037 | 1 | 油受 | OIL PAN |
| 14 | 48002 | 1 | ベース | MACHINE BASE |
| 15 | 13436 | 1 | 蝶番 | BED HINGE |
| 16 | 13440 | 8 | 蝶番止めねじ | SCREW M6X1.0 L=12 |
| 17 | 13006 | 1 | 鍵 | BED CLAMP |
| 18 | 19403 | 1 | 鍵止めねじ | SCREW 1/4X28 L=5.4 |
| 19 | 13388-A | 1 | 蝶ボルト | SCREW M6X1.0 L=20 |
| 20 | 13008 | 1 | ワッシャー | WASHER |
| 21 | 13096 | 4 | 皿小ねじ | SCREW 5/16X18 L=75 |
| 22 | 13096-N | 4 | ナット | NUT 5/16X18 |
| 23 | 13096-W | 4 | ワッシャー | WASHER |
| 24 | 10747 | 1 | 六角レンチ 1/16 | HEXAGONAL WRENCH 1/16 |
| 25 | 19457 | 1 | 六角レンチ 2.5mm | HEXAGONAL WRENCH 2.5MM |
| 26 | 19458 | 1 | 六角レンチ 3mm | HEXAGONAL WRENCH 3MM |
| 27 | 19459 | 1 | 六角レンチ 4mm | HEXAGONAL WRENCH 4MM |
| 28 | 1871 | 1 | 六角レンチ 6mm | HEXAGONAL WRENCH 6MM |
| 29 | 19462 | 1 | メガネレンチ 10X11 | DOUBLE HEAD WRENCH 10X11 |
| 30 | 4202 | 1 | スパナ 9X8 | SPANNER 9X8 |
| 31 | 25675-01 | 1 | くさり (235) | CHAIN 235MM |
| 32 | 25675 | 2 | Sカン | CHAIN WITH HOOK |
| 33 | 48009C | 1 | 膝当てセット(5点組) | KNEE LIFTER ASSY |
| 34 | 17529 | 1 | 検出器支え棒 | SYNCHRONIZER SUPPORT ROD |
| 35 | 37102 | 2 | 検出器支え棒ナット | NUT M6X1 |
| 36 | 10947 | 1 | 糸立てセット | THREAD UNWINDER COMPLETE |
| 37 | 11196 | 1 | ピンセット | TWEEZERS |

ゲージ部品
GAUGE PARTS

| 針幅 | | 針板 | 送り歯 | 針株(ねじ付) | 中押え(ねじ付) | 外押え | フィンガーガード |
|------------|------|---|---|---|---|---|---|
| GAUGE SIZE | | THROAT PLATE | FEED DOG | NEEDLE CLAMP WITH SCREW | VIBRATING PRESSER FOOT WITH SCREW | LIFTING PRESSER FOOT | FINGER GUARD |
| inch | mm |  |  |  |  |  |  |
| 1/8 | 3.2 | 13650 | 13651 | 25670-01 | 10282C | 10182 | 10937-01 |
| 1/4 | 6.4 | 13652 | 13653 | 25670-04 | 10285C | 10185 | 10937-01 |
| 5/16 | 7.9 | 13688 | 13689 | 25670-05 | 10286C | 10186 | 10937-02 |
| 3/8 | 9.5 | 13654 | 13655 | 25670-06 | 10287C | 10187 | 10937-02 |
| 1/2 | 12.7 | 13656 | 13657 | 25670-08 | 10289C | 10189 | 10937-04 |

*

| 針幅 | | 差し板/SLIDE PLATE | | 差し板案内(左)/GUIDE PLATE (LEFT) | | 差し板案内(右)/GUIDE PLATE (RIGHT) | |
|------------|------|---|---|---|---|---|---|
| GAUGE SIZE | | 左/LEFT | 右/RIGHT | 前/FRONT | 後/REAR | 前/FRONT | 後/REAR |
| inch | mm |  |  |  |  |  |  |
| 1/8 | 3.2 | 13658 | 13659 | 13666 | 13667 | 13668 | 13669 |
| 1/4 | 6.4 | 13660 | 13661 | 13670 | 13671 | 13672 | 13673 |
| 5/16 | 7.9 | 13694 | 13695 | 13696 | 13697 | 13698 | 13699 |
| 3/8 | 9.5 | 13662 | 13663 | 13674 | 13675 | 13676 | 13677 |
| 1/2 | 12.7 | 13664 | 13665 | 13678 | 13679 | 13680 | 13681 |

*

* 特別注文品 / OPTION AT EXTRA COST

SEIKO SEWING MACHINE CO., LTD.

2-13-6 Sakaecho, Funabashi-shi Chiba Prefecture,
273-0018, Japan

TEL: 81-47-420-3561 (Overseas dept.)

FAX: 81-47-420-3560

E-mail: export@seiko-sewing.co.jp

<http://www.seiko-sewing.co.jp/>

セイコーミシン株式会社

〒273-0018 千葉県船橋市栄町2-13-6

TEL: 047-420-3561, IP電話: 050-3535-3491

FAX: 047-420-3560

E-mail: eigyo@seiko-sewing.co.jp

(国内営業)

Parts No. PB67700 (1118)

Rev. 1