

# BLWP series

High speed, Post bed, Large vertical axis hook, Automatic thread trimmer, Automatic back tack, Automatic presser foot lift, Climbing device, Dual stitching device, Compound feed and walking foot, Direct drive motor, Lockstitch machines



BLWP-28BLC-DM

## Variety

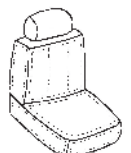


### BLWP-28BLC-DM

Two needle

## Applications

- For sewing medium to heavy weight materials such as leather, vinyl, synthetics and laminated and coated materials.
- Suitable for sewing such as automobile upholstery, tarpaulins, covers, awnings, tents, umbrellas, handbags, luggage, travelware accessories, sports and camping equipment and wearing apparel outdoor clothing.



## Features

- Built-in Direct Drive Motor Models

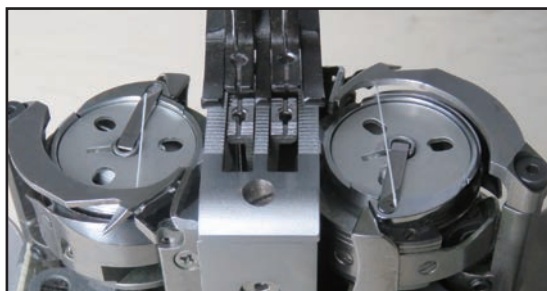
- \* Built-in 850W direct drive motor models are also available that will make setting works easier.

- Secure Feeding

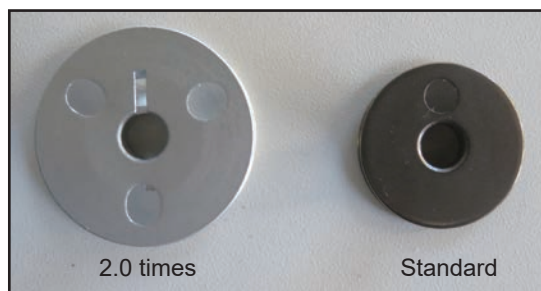
- \* Compound Feeding System to make the secure stitches on heavy duty materials, even on slippy or uneven materials.

- Large Size Hook

- \* 2.0 times large vertical axis hook is equipped for lesser bobbin replacement.



2.0 times large capacity hook



Comparison of the bobbin size

- One touch switchover for two different stitch lengths.(Dual stitching device)

- \* Variety sewing materials such as steps, curves, uneven thickness can be performed by one touch switchover setting two different stitch lengths. The efficient work and beautiful finishes will be obtained.



One touch switchover for two different stitch lengths(Dual stitching device)

- Built-in bobbin winder

- \* Built-in bobbin winder makes it possible to wind the bobbin thread during sewing operation.

- Wide working space

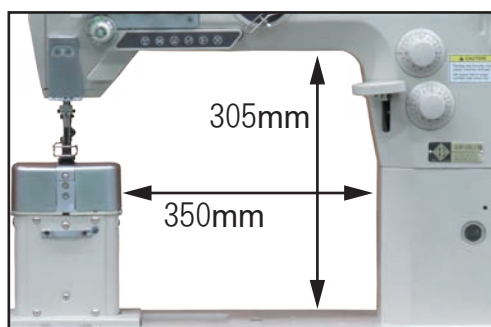
- \* Wide working space 13-25/32" x 12-1/64" (350mm x 305mm).

- Good Operability.

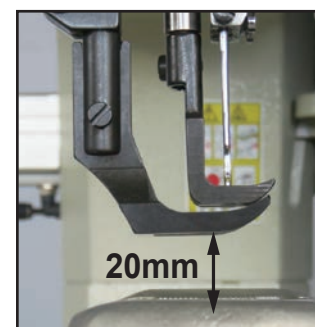
- \* Presser foot lift amount 25/32" (20 mm) (by automatic foot lifter).
- Needle bar stroke 1-37/64" (40 mm).
- Alternating presser foot lift amount 3/64" - 23/64" (1 mm - 9 mm).
- \* Adopted a 850W powerful motor for both of a motor built-in model and an outside-motor model in order to strengthen a penetration.



Built-in bobbin winder with fine adjustment function of thread winding amount



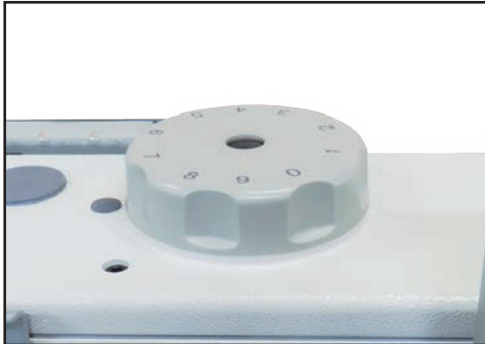
Wide working space



The clearance under the presser foot (20mm)

# BLWP series

- Simple setting for alternating presser foot movement
  - \* Alternating presser foot movement between inner foot and outer foot can be changed simply by the easy-to-handle dial located at the top of the sewing machine.
- LCD Touch Panel for Easy Setting for Sewing
  - \* LCD Touch panel is equipped at front that will make setting works for sewing condition easier.

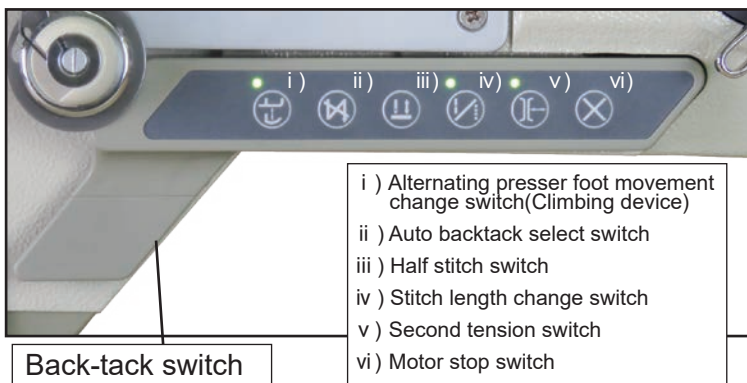


Simple setting for alternating presser foot movement

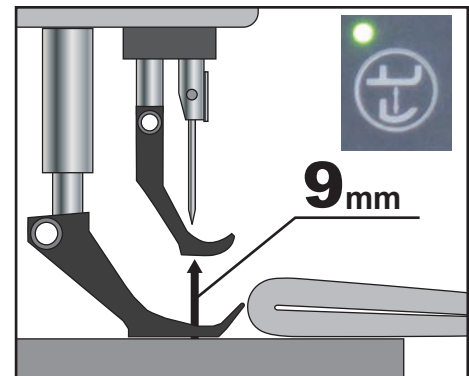


LCD operation touch-panel

- 6 Functional Buttons and Quick Back-Tacking Switch
  - \* 6 functional buttons and quick back-tacking switch are equipped at front that will make operation easier even during sewing.
  - Various additional functions will increase working efficiency.
- Smooth stitching on step section (Climbing device)
  - \* Can change the presser foot step maximum 9 mm higher by button right before the uneven point that makes smoother stitching.



Back-tack switch and 6 button operation panel



Smooth stitching on step section (Climbing device)

- The edge roller guide (optional parts)
- Lubrication
  - \* Automatic lubrication system.
- Automatic Thread Trimmer, Automatic Back-tacking and Automatic Presser Foot Lifting
  - \* Those are already equipped as standard functions.

## Specifications (BLWP-□)

Variety	<b>28BLC-DM</b>	
Number of needle	Two needle	
Max. sewing speed	2,500 s.p.m.	
Max. stitch length	15/32" (12 mm)	
Clearance under presser foot	by hand	23/64" (9 mm)
	by automatic foot lifter	25/32" (20 mm)
Needle bar stroke	1-37/64" (40 mm)	
Needle	DP x 17 (#18 - #24) , 135 x 17 (#110 - #180)	
Thread	#20 - #5	
Hook	Large vertical axis hook (2.0 times)	
Bobbin size	Φ 1-9/64" (Φ 29 mm), t=31/64"(12.4mm)	
Amount of walking foot movement	3/64" - 23/64" (1.0 - 9.0 mm)	
Thread take up lever	Link type	
Lubrication	Automatic lubrication type	
Bed size	23-13/16" x 8-3/16" (605 x 208 mm)	
Post height	7-1/64" (178 mm)	
Working space	13-25/32" x 12-1/64"(350 x 305 mm)	
Motor	Built-in 850W Direct drive motor	
Net weight(Head only)	88 Kg	

NOTE : (1)Speed depends on threads, materials and type of operation.  
 (2)Specifications subject to change without notice



**SEIKO SEWING MACHINE CO., LTD.**

2-13-6, Sakaecho, Funabashi-shi  
 Chiba Prefecture, 273-0018, Japan

Phone : +81-47-420-3561 (Overseas dept.)

Fax : +81-47-420-3560

E-mail : [exsales@seiko-sewing.co.jp](mailto:exsales@seiko-sewing.co.jp)



<https://www.seiko-sewing.co.jp/en/>

Printed in Japan 2024. 1