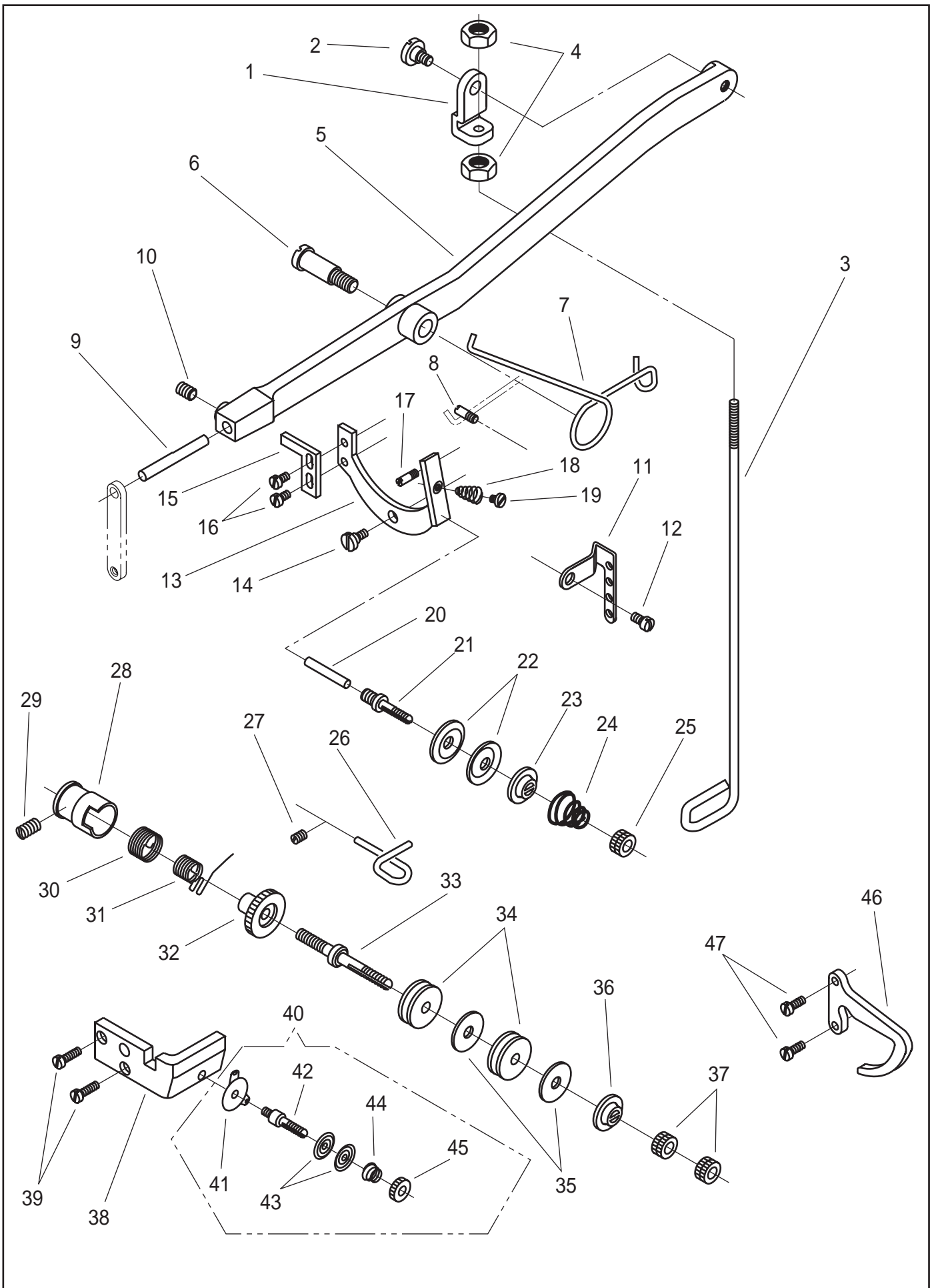


糸調子、弓 THREAD TENSION, FOOT LIFTING LEVER



糸調子、弓/THREAD TENSION, FOOT LIFTING LEVER

No.	部品番号 PARTS NO.	6BR	6BR-3	6BR-4	個数 QTY	品名	DESCRIPTION
1	6359-A	*	*	*	1	吊り棒だるま	FOOT LIFTING LEVER CONNECTING ROD JOINT
2	6384	*	*	*	1	吊り棒だるま段ねじ	SCREW SM15/64X28
3	1433	*	*	*	1	吊り棒	FOOT LIFTING LEVER CONNECTING ROD
4	6360	*	*	*	2	吊り棒ナット	NUT SM3/16X32
5	1431	*	*	*	1	弓	FOOT LIFTING LEVER
6	8086-01	*	*	*	1	弓止めねじ(黒)	SCREW SM5/16X24
7	1432	*	*	*	1	弓ばね	FOOT LIFTING LEVER SPRING
8	8050	*	*	*	1	弓ばね受ねじ	SCREW SM9/64X40
9	2068	*	*	*	1	弓先棒	FOOT LIFTING LEVER PIN
10	8009	*	*	*	1	弓先棒止めねじ	SCREW SM15/64X28 L=7.5
11	1895	*	*	*	1	糸掛 (A)	THREAD GUIDE (A)
12	20048	*	*	*	1	糸掛 (A)止めねじ	SCREW SM7/32X32
13	1852	*	*	*	1	皿浮かし	TENSION RELEASE LEVER
14	10704	*	*	*	1	皿浮かし段ねじ	SCREW SM3/16X28
15	1562	*	*	*	1	皿浮かし補助	THREAD RELEASE LEVER SUPPORT
16	3052	*	*	*	2	皿うかし補助止めねじ	SCREW SM9/64X40 L=4.5
17	8050	*	*	*	1	皿浮かしストップピンねじ	SCREW SM9/64X40
18	1413	*	*	*	1	皿浮かしスプリング	SPRING
19	8111	*	*	*	1	皿浮かしスプリング止めねじ	SCREW SM1/8X44 L=1.8
20	1853	*	*	*	1	皿浮かしピン	TENSION RELEASE PIN
21	50262	*	*	*	1	糸調子棒 (上)	TENSION SCREW STUD (UPPER)
22	8077	*	*	*	2	糸調子皿 (上)	TENSION DISC (UPPER)
23	3071	*	*	*	1	丸一皿	TENSION RELEASE WASHER
24	8078	*	*	*	1	渦巻ばね	SPIRAL SPRING
25	8079	*	*	*	1	ローレットナット	TENSION THUMB NUT
26	1778	*	*	*	1	糸掛 (B)	THREAD GUIDE (B)
27	2067	*	*	*	1	糸掛(B)止めねじ	SCREW SM11/64X40 L=6
28	1414	*	*	*	1	糸調子臼	THREAD TAKE-UP SPRING REGULATOR
29	6383	*	*	*	1	糸調子臼止めねじ	SCREW SM15/64X28 L=10
30	1417	*	*	*	1	補助スプリング	REGULATING SPRING
31	1542	*	*	*	1	糸取りスプリング	THREAD TAKE-UP SPRING
32	1418	*	*	*	1	スプリング調節	THREAD TAKE-UP SPRING ADJUSTING SLEEVE
33	1415	*	*	*	1	糸調子棒 (下)	TENSION SCREW STUD (LOWER)
34	1543	*	*	*	2	糸調子皿 (下)	TENSION DISC (LOWER)
35	35164	*	*	*	2	糸調子皿皮	TENSION DISC LEATHER
36	3071	*	*	*	1	丸一皿	TENSION RELEASE WASHER
37	8079	*	*	*	2	ローレットナット	TENSION THUMB NUT
38	1823	*	*	*	1	針棒土台振れ止板	NEEDLE BAR ROCK FRAME GUIDE
39	11073	*	*	*	2	針棒土台振れ止め板止めねじ	SCREW SM11/64X32 L=11
40	20223C	*	*	*	1	補助糸調子組	AUXILIARY TENSION REGULATOR COMPLETE
41	38014	*	*	*	1	補助糸調子糸掛	AUXILIARY TENSION REGULATOR THREAD GUIDE
42	20223	*	*	*	1	補助糸調子棒	AUXILIARY TENSION SCREW STUD
43	20224	*	*	*	2	補助糸調子皿	AUXILIARY TENSION DISC
44	20226-01	*	*	*	1	渦巻スプリング	AUXILIARY TENSION REGULATOR SPIRAL SPRING
45	20225	*	*	*	1	補助糸調子ナット	AUXILIARY TENSION THUMB NUT
46	1854	*	*	*	1	糸掛 (C)	THREAD GUIDE (C)
47	8040	*	*	*	2	糸掛 (C)止めねじ	SCREW SM9/64X40