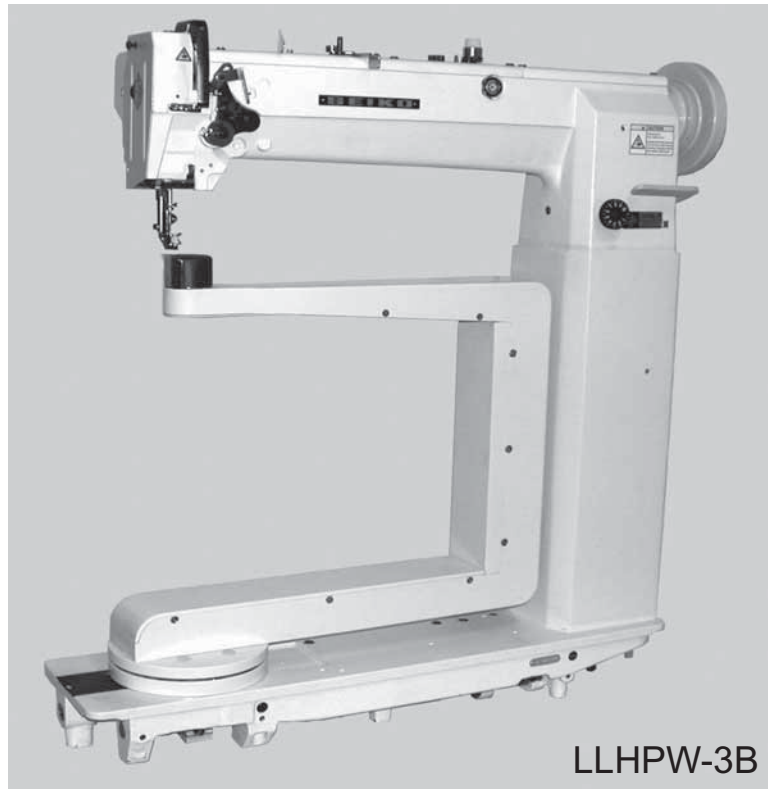


LLHPW-3B

High speed, Extra long 360° Rotating Swinging arm, Single needle, Vertical axis hook, Needle feed and Alternating foot, Lockstitch machine



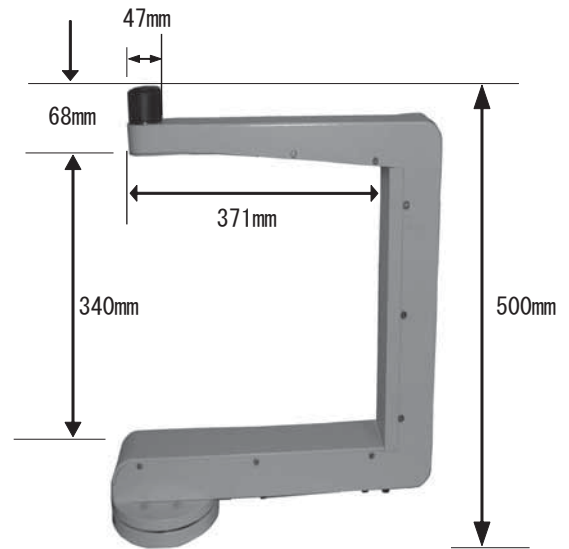
Applications

SEIKO new 360° rotating doable horn swinging arm machine is suitable for the sewing of medium to heavy materials of bags, traveling bags, cases, briefcases, boots and shoes in general.



Features

- 18 inch long arm.
- Vertical axis hook.
- Semi-Automatic lubrication system.
- Automatic hook lubrication.
- Safety clutch prevents the hook from being damaged.
- Longer stitch length 6 mm.
- Reverse stitching.



Specifications (LLHPW-□)

Variety	LLHPW-3B	
Number of needle	Single needle	
Max. sewing speed	1,500(s.p.m.)	
Max. stitch length	6mm	
Clearance under presser foot	by knee	19/32" (15 mm)
	by hand	5/16" (8 mm)
Needle bar stroke	1-25/64" (35.4 mm)	
Needle(standard)	DPx17 (#22) , 135x17 (#140)	
Thread	#8 (standard)	
Hook	Vertical axis hook	
Amount of lift of walking foot	3/32"-9/32" standard 9/64" (2.5 - 7 mm) (standard 3.5 mm)	
Thread take up lever	Slide type	
Lubrication	Semi-Automatic lubrication	
Bed size	28-17/64" x 7" (718 x 177 mm)	
Working space	18-1/32" x 4-21/64" (458 x 110 mm)	
Motor	AC Servo motor	
Net weight(Head only)	60Kg	

NOTE

- (1) Speed depends on threads, materials and type of operation
 (2) Specifications subject to change without notice



SEIKO SEWING MACHINE CO., LTD.

2-13-6, Sakaecho, Funabashi-shi
 Chiba Prefecture, 273-0018, Japan

Phone : +81-47-420-3561 (Overseas dept.)

Fax : +81-47-420-3560

E-mail : export@seiko-sewing.co.jp

Printed in Japan 2006.06

<http://www.seiko-sewing.co.jp/>